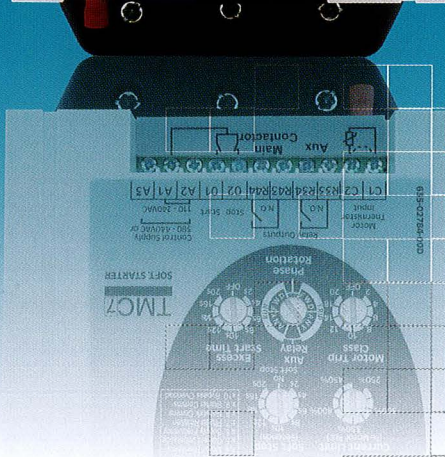


TMC7 series Digital Soft Starter

With Built-in:

- By-pass contacts
- Motor protection function
- Communication (optional)

Compact TMC7 series soft starter is designed to start motors up to 110kW in most efficient and economical manner. Its fully adjustable Start and Stop times coupled with over 4 x FLC (Full Load Current) limit, allows it to be used for most common applications in industry. Together with its accessories of remote key-pad and communication interfaces (MODBUS / PROFIBUS / DEVICENET / ASI), it is one of the most powerful soft starters on the market.



Benefits of TMC7

- ▶ Produces Smoother Starts and Stops
- ▶ Limits In-rush Currents
- ▶ Eliminates Currents Surges and Voltage Dips
- ▶ Reduces Mechanical Shock on Motor and the Coupled Machine
- ▶ Reduces Mechanical Damage
- ▶ Eliminates Water Hammer
- ▶ Decreases Equipment Downtime

Ideal for Starting:

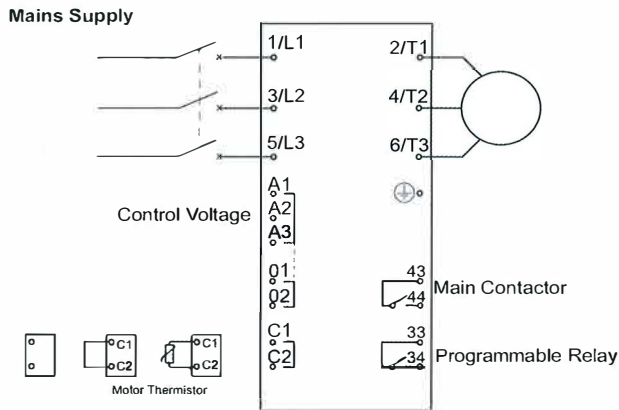
- ▶ Pumps
- ▶ Fans & Blowers
- ▶ Compressors and Chillers
- ▶ Conveyors
- ▶ Augers & Screw Feeders
- ▶ Industrial Machinery



TOSHIBA

Leading Innovation >>>

ELECTRICAL SCHEMATIC



RANGE

Model	kW @400V	Maximum Motor FLC at 40°C	
		4xFLC for 6sec AC53b 4-6:354	4xFLC for 20sec AC53b 4-20:340
TMC7- 4007 - C1	7.5	18 A	17 A
TMC7- 4015 - C1	15	34 A	30 A
TMC7- 4018 - C1	18.5	42 A	36 A
TMC7- 4022 - C1	22	48 A	40 A
TMC7- 4030 - C1	30	60 A	49 A
		(AC53b 4-6:594)	(AC53b 4-20:580)
TMC7- 4037 - C1	37	75 A	65 A
TMC7- 4045 - C1	45	85 A	73 A
TMC7- 4055 - C1	55	100 A	96 A
TMC7- 4075 - C1	75	140 A	120 A
TMC7- 4090 - C1	90	170 A	142 A
TMC7- 4110 - C1	110	200 A	165 A

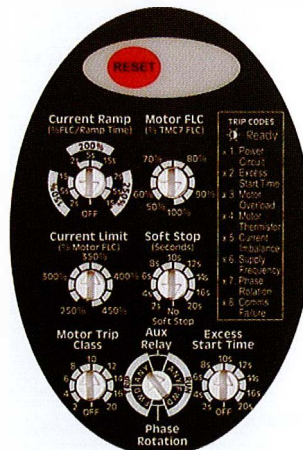
TECHNICAL SPECIFICATIONS:

- ▶ Supply Voltage: 200-440 V AC (+10%, -15%), 3 Ph
- ▶ Supply Frequency: 45 - 66 Hz
- ▶ Control Voltage: 110-240 V AC & 380 - 440V AC
- ▶ Number of Starts: =<30kW: 10 starts /hour
=>37kW: 6 starts /hour
- ▶ Output Relay Contacts: 2A, 400V AC, AC11
- ▶ Degree of Protection: =< 55kW: IP20
> 55kW: IP00
- ▶ Max. Ambient Temperature: 60 Deg C
- ▶ Relative Humidity: 5 % to 95 %

DIMENSIONS

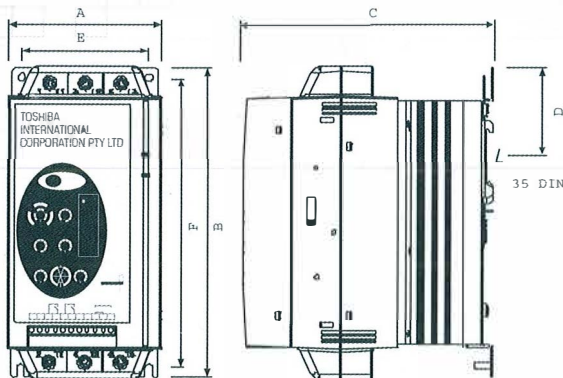
mm (inch)

MODEL	A	B	C	D	E	F
TMC7- 4007 - C1						
TMC7- 4015 - C1						
TMC7- 4018 - C1						
TMC7- 4022 - C1						
TMC7- 4030 - C1						
TMC7- 4037 - C1	98	203	165	55	82	188
TMC7- 4045 - C1	(3.86)	(7.99)	(6.50)	(2.17)	(3.23)	(7.40)
TMC7- 4055 - C1						
TMC7- 4075 - C1	145	215	193		124	196
TMC7- 4090 - C1	(5.71)	(8.46)	(7.60)		(4.88)	(7.72)
TMC7- 4110 - C1						
TMC7- 4075 - C1	202	240	214		160	204
TMC7- 4090 - C1	(7.95)	(9.45)	(8.40)		(6.30)	(8.03)



ADJUSTMENTS

1. Motor Full Load Current	$x \% = \frac{\text{Motor FLC}}{\text{TMC7 FLC}}$										
2. Current Ramp											
3. Current Limits											
4. Motor Trip Class											
5. Local Reset Push Button											
6. Soft Stop Time											
7. Excess Start Time											
8. Phase Rotation Protection	<table border="1"> <thead> <tr> <th></th> <th>FWD</th> <th>ANY</th> </tr> </thead> <tbody> <tr> <td>L1 L2 L3</td> <td></td> <td><input checked="" type="checkbox"/></td> </tr> <tr> <td>L1 L2 L3</td> <td></td> <td><input checked="" type="checkbox"/></td> </tr> </tbody> </table>		FWD	ANY	L1 L2 L3		<input checked="" type="checkbox"/>	L1 L2 L3		<input checked="" type="checkbox"/>	
	FWD	ANY									
L1 L2 L3		<input checked="" type="checkbox"/>									
L1 L2 L3		<input checked="" type="checkbox"/>									
9. Auxiliary Relay Function											



Above information is subject to change without notice.

TOSHIBA INTERNATIONAL CORPORATION PTY LTD ACN 29 001 555 088

www.toshiba.com.au

ROYCE CROSS
ELECTRIC MOTOR GROUP

ajf ELECTRICAL DISTRIBUTORS

C&A
CHAINS & ACCESSORIES

DISTRIBUTED BY: