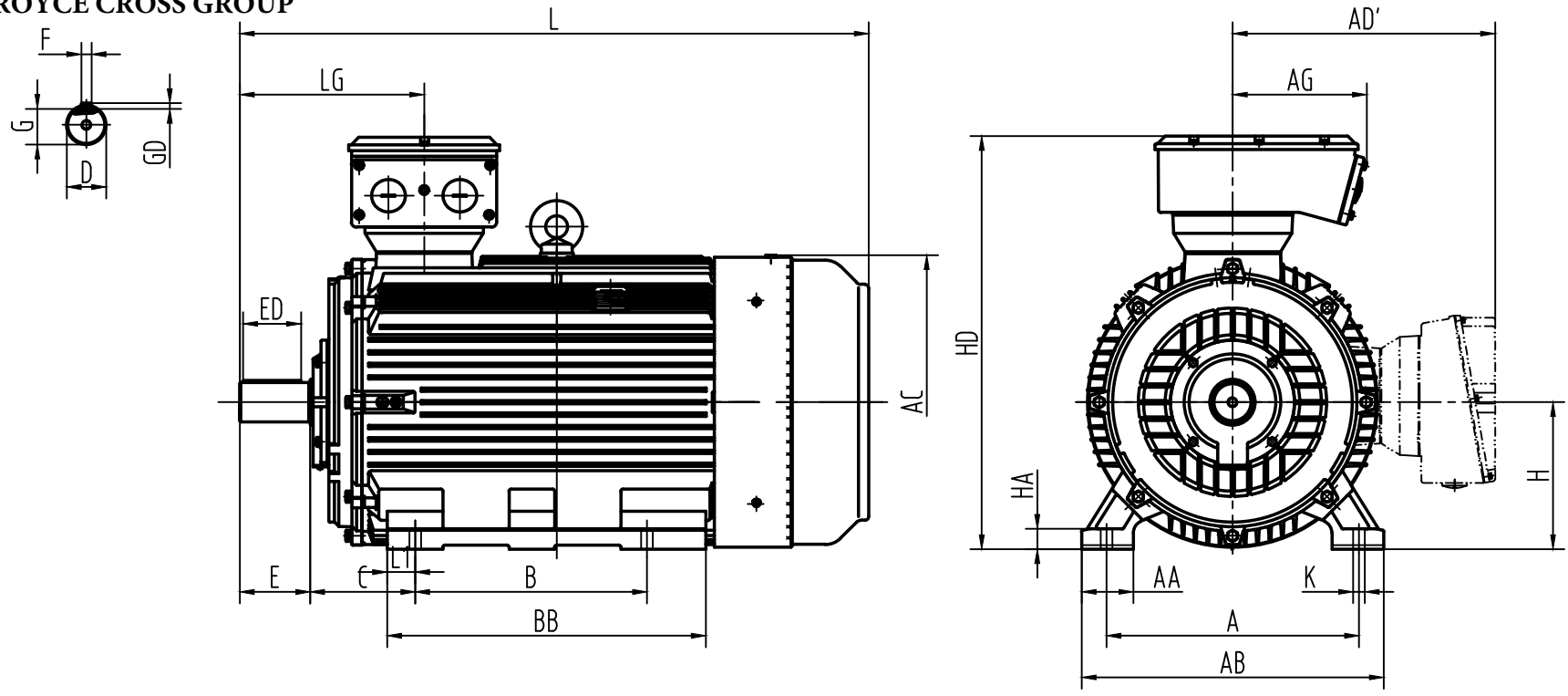


ROYCE CROSS GROUP



OUTLINE DIMENSIONS FOOT MOUNTED MOTORS														SHAFT EXT.DE ONLY					WEIGHT				
A	AA	AB	AC	AD'	AG	B	BB	C	H	HA	HD	K	KK	L	LG	D	DH	E	ED	F	G	GD	
610	125	735	735	640	330	560	775	254	355	49	1000	28	M63X1.5	1500	420	75	M24X50	140	110	20	67.5	12	



YE2-355M 2P (B3) DIMENSION OUTLINE	DATE		2006.2.8	CHK	
	DRAWN		Mao	APPD	
	ISSUE A	DATE		CERTIFIED BY	
	ISSUE B	DATE		CERTIFIED BY	
	ISSUE C	DATE		CERTIFIED BY	
	ISSUE D	DATE		CERTIFIED BY	