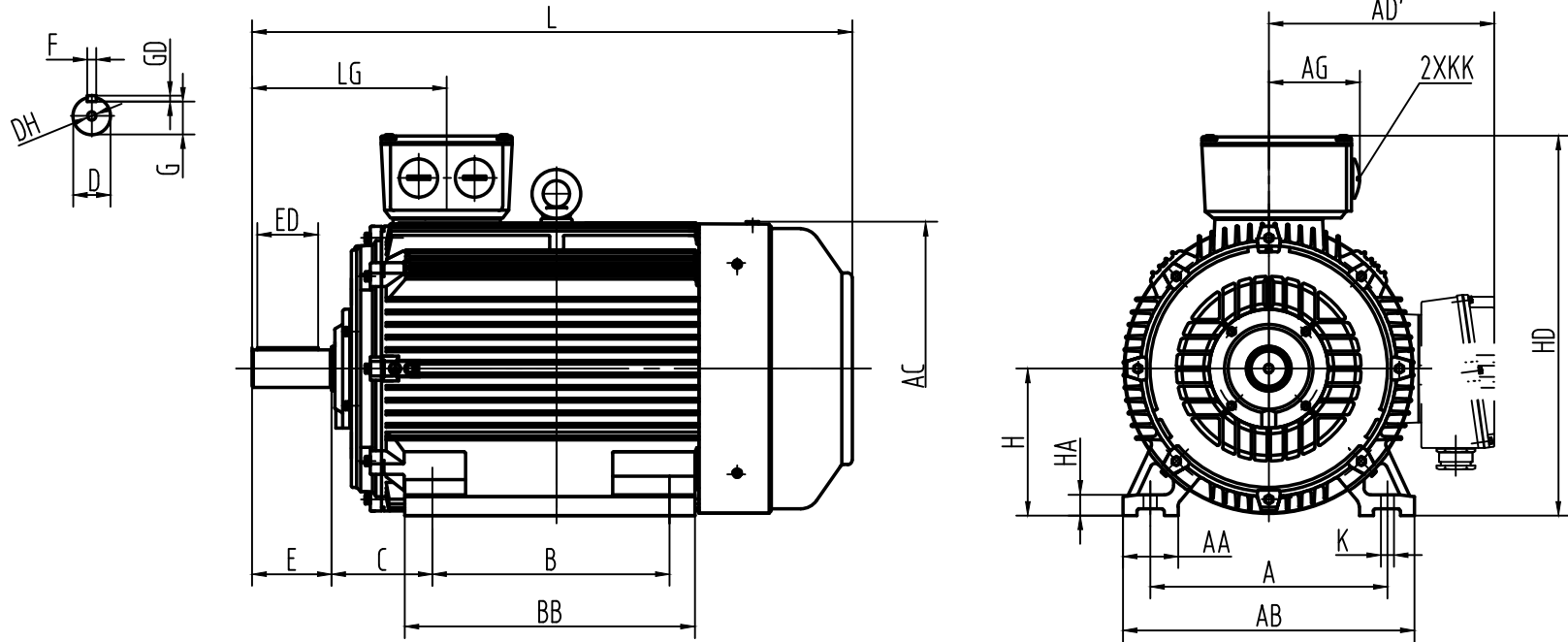


ROYCE CROSS GROUP



OUTLINE DIMENSIONS FOOT MOUNTED MOTORS																SHAFT EXT.DE ONLY						WEIGHT			
A	AA	AB	AC	AD'	AG	B	BB	C		H	HA	HD	K	KK	L	LG		D	DH	E	ED	F	G	GD	
508	120	635	650	495	195	508	625	216		315	45	820	28	M63X1.5	1270	387		65	M20X42	140	110	18	58	11	



YE2-315L 2P (B3) DIMENSION OUTLINE	DATE		2005.12.5	CHK	
	DRAWN		Huang	APPD	
	ISSUE	A	DATE	CERTIFIED BY	
	ISSUE	B	DATE	CERTIFIED BY	
	ISSUE	C	DATE	CERTIFIED BY	
	ISSUE	D	DATE	CERTIFIED BY	