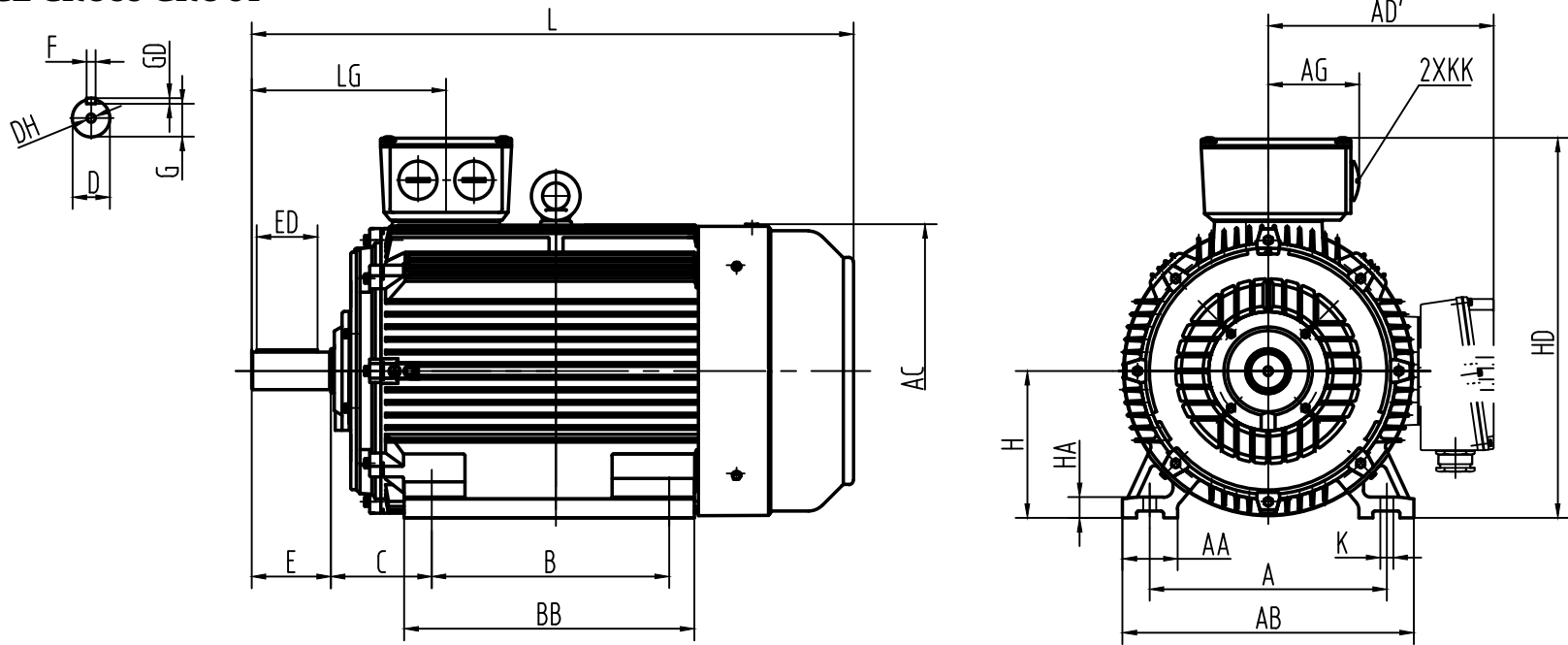


# ROYCE CROSS GROUP



OUTLINE DIMENSIONS FOOT MOUNTED MOTORS																SHAFT EXT.DE ONLY						WEIGHT	
A	AA	AB	AC	AD'	AG	B	BB	C	H	HA	HD	K	KK	L	LG	D	DH	E	ED	F	G	GD	
508	120	635	650	495	195	508	625	216	315	45	820	28	M63X1.5	1317	417	80	M20X4.2	170	140	22	71	14	



YE2-315L 4-6P (B3)		DATE		2005.12.5	CHK	
		DRAWN		Huang	APPD	
DIMENSION OUTLINE		ISSUE	A	DATE		CERTIFIED BY
		ISSUE	B	DATE		CERTIFIED BY
		ISSUE	C	DATE		CERTIFIED BY
		ISSUE	D	DATE		CERTIFIED BY