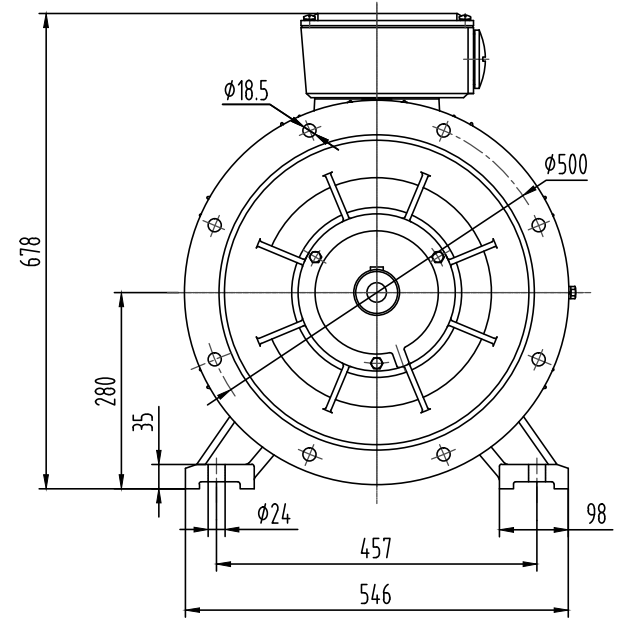
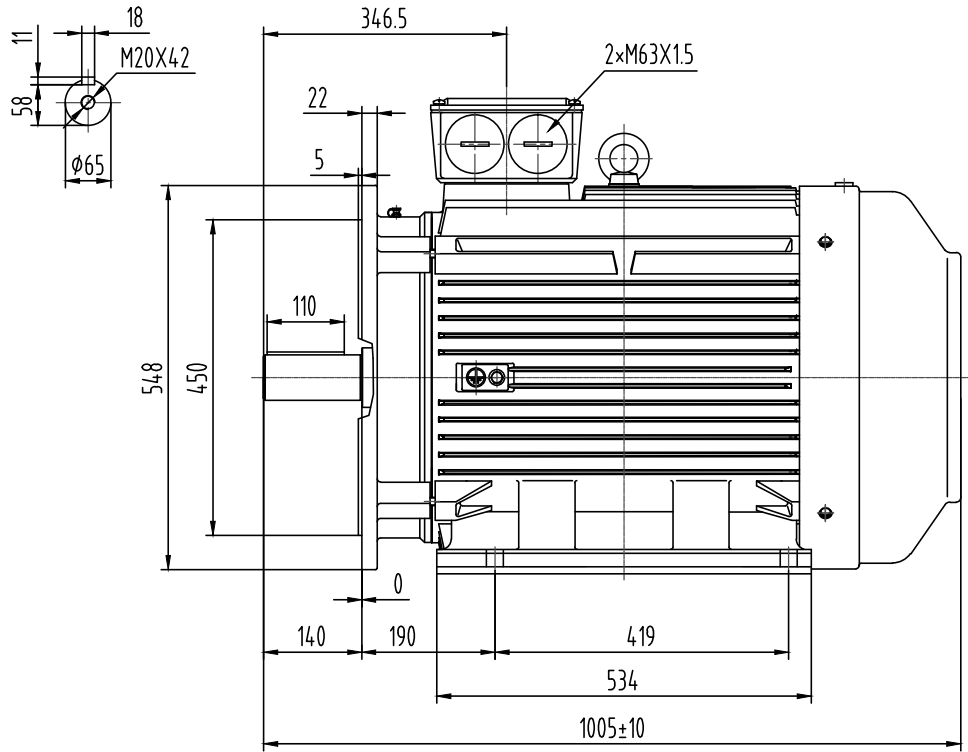


ROYCE CROSS GROUP



CUSTOMER APPROVAL _____
SIGNATURE DATE

**ROYCE
CROSS**
ELECTRICMOTORGROUP

| | | | | |
|--------------------------------------|---------|--------|--------------|--|
| YE2-280M-2(B35) DIMENSION OUTLINE | DATE | 2013.1 | CHK | |
| | DRAWN | zhang | APPD | |
| | ISSUE A | DATE | CERTIFIED BY | |
| | ISSUE B | DATE | CERTIFIED BY | |
| | ISSUE C | DATE | CERTIFIED BY | |
| | ISSUE D | DATE | CERTIFIED BY | |