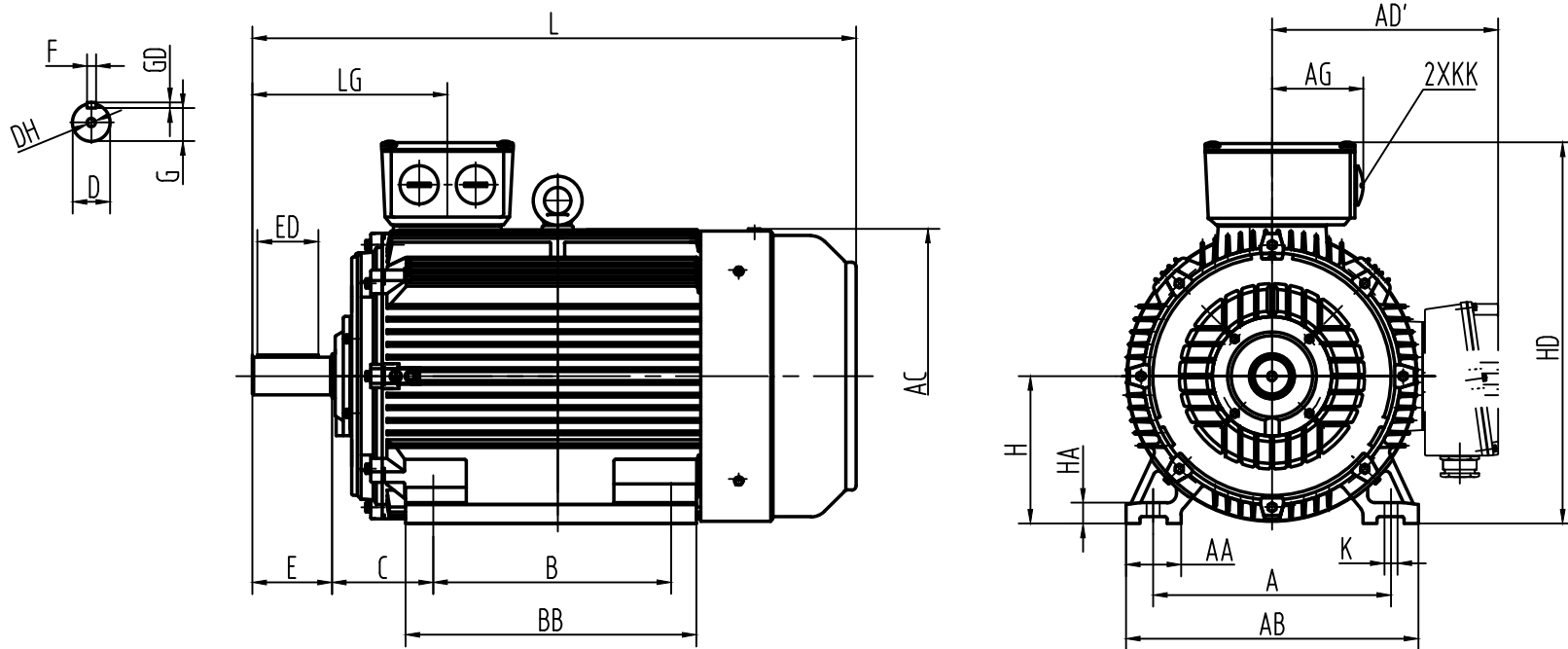


**ROYCE CROSS GROUP**



OUTLINE DIMENSIONS FOOT MOUNTED MOTORS															SHAFT EXT.DE ONLY					WEIGHT		
A	AA	AB	AC	AD'	AG	B	BB	C	H	HA	HD	K	KK	L	LG	D	DH	E	ED	F	G	GD
508	120	635	650	495	195	457	625	216	315	45	820	28	M63X1.5	1317	417	80	M20X42	170	140	22	71	14



YE2-315M 4-6P (B3) DIMENSION OUTLINE	DATE		2005.12.5	CHK	
	DRAWN		Huang	APPD	
	ISSUE	A	DATE	CERTIFIED BY	
	ISSUE	B	DATE	CERTIFIED BY	
	ISSUE	C	DATE	CERTIFIED BY	
	ISSUE	D	DATE	CERTIFIED BY	