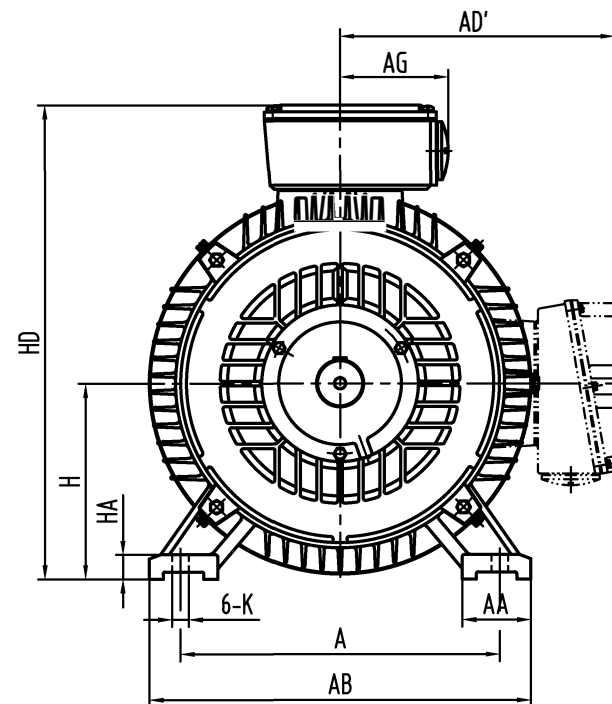
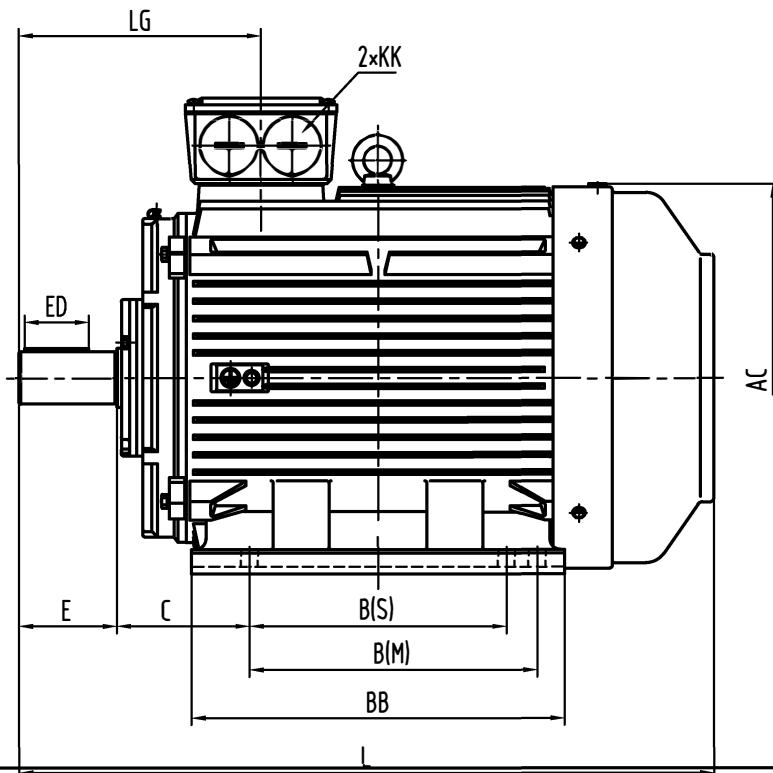
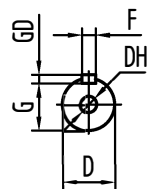


ROYCE CROSS GROUP



OUTLINE DIMENSIONS FOOT MOUNTED MOTORS

SHAFT EXT.DE ONLY

WEIGHT(kg)

A	AA	AB	AC	AD'	AG	B	BB	C	H	HA	HD	K	KK	L	LG	D	DH	E	ED	F	G	GD
457	90	550	570	370	160	368(S) 419(M)	535	190	280	35	685	24	M63X1.5	1009	350	80	M20x42	140	100	22	71	14



YE2-280M-4 90kW(B3)
DIMENSION OUTLINE

DATE	2005.12.5	CHK	
DRAWN	Liang	APPD	
ISSUE A	DATE	CERTIFIED BY	
ISSUE B	DATE	CERTIFIED BY	
ISSUE C	DATE	CERTIFIED BY	
ISSUE D	DATE	CERTIFIED BY	