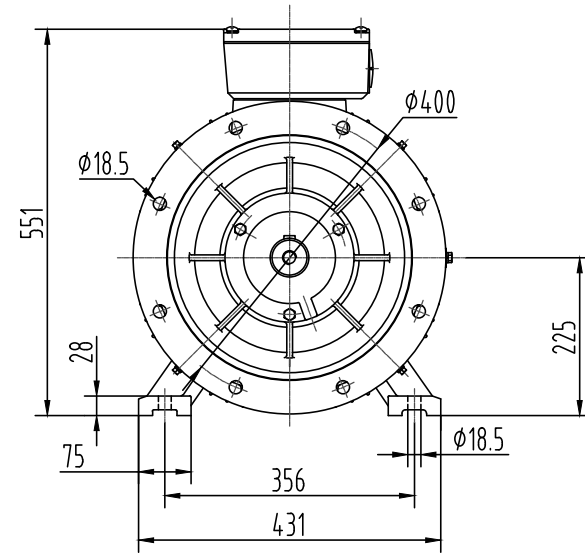
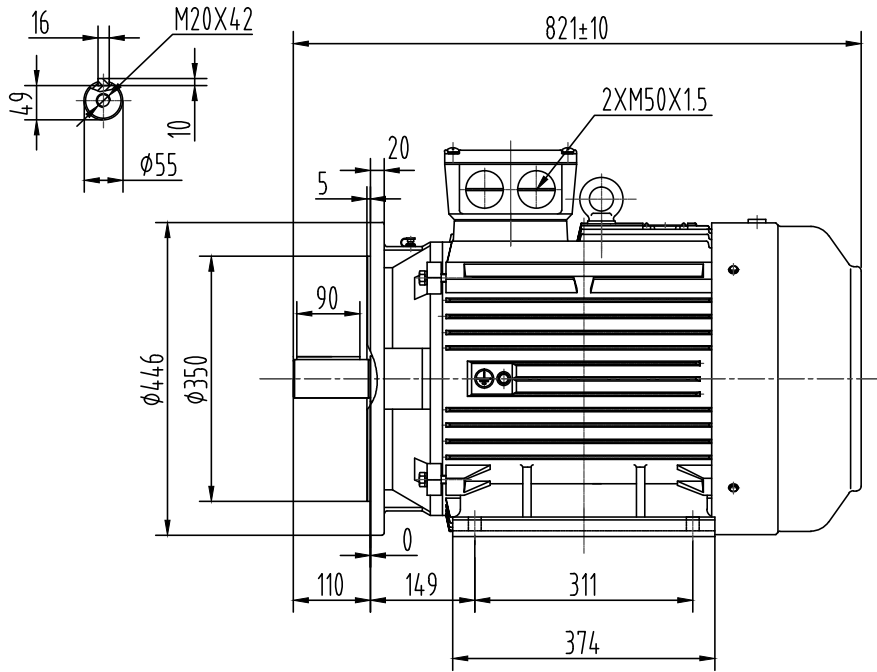


ROYCE CROSS GROUP



CUSTOMER APPROVAL _____
 SIGNATURE DATE



YE2-225M-2(B35) DIMENSION OUTLINE	DATE		2013.1	CHK	
	DRAWN		liu	APPD	
	ISSUE	A	DATE	CERTIFIED BY	
	ISSUE	B	DATE	CERTIFIED BY	
	ISSUE	C	DATE	CERTIFIED BY	
	ISSUE	D	DATE	CERTIFIED BY	