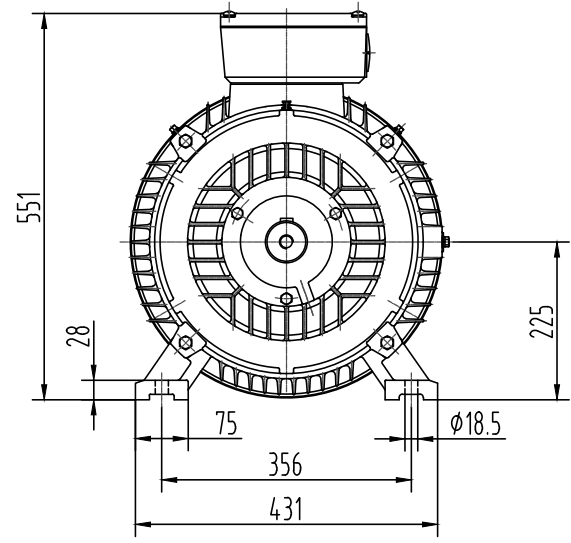
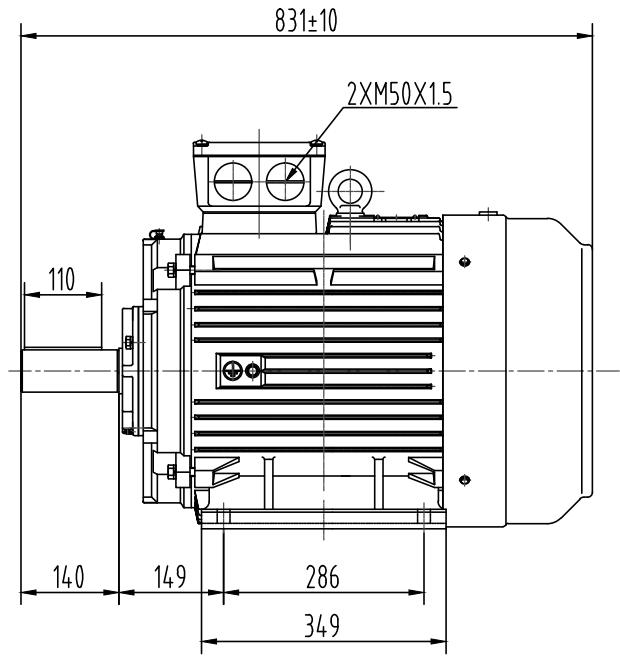
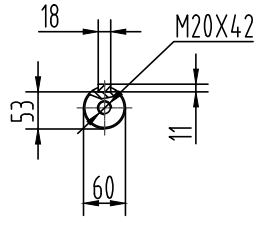


ROYCE CROSS GROUP



CUSTOMER APPROVAL \_\_\_\_\_  
 SIGNATURE DATE



YE2-225S-4.6.8(B3) DIMENSION OUTLINE	DATE		2013.1	CHK	
	DRAWN		liu	APPD	
	ISSUE	A	DATE		CERTIFIED BY
	ISSUE	B	DATE		CERTIFIED BY
	ISSUE	C	DATE		CERTIFIED BY
	ISSUE	D	DATE		CERTIFIED BY