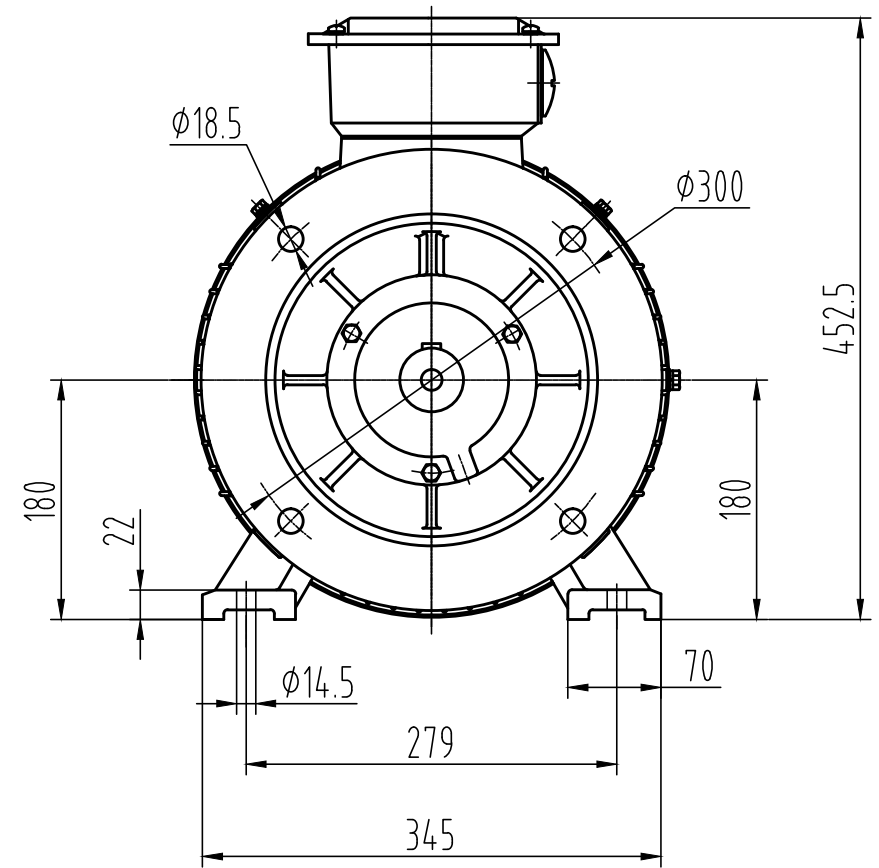
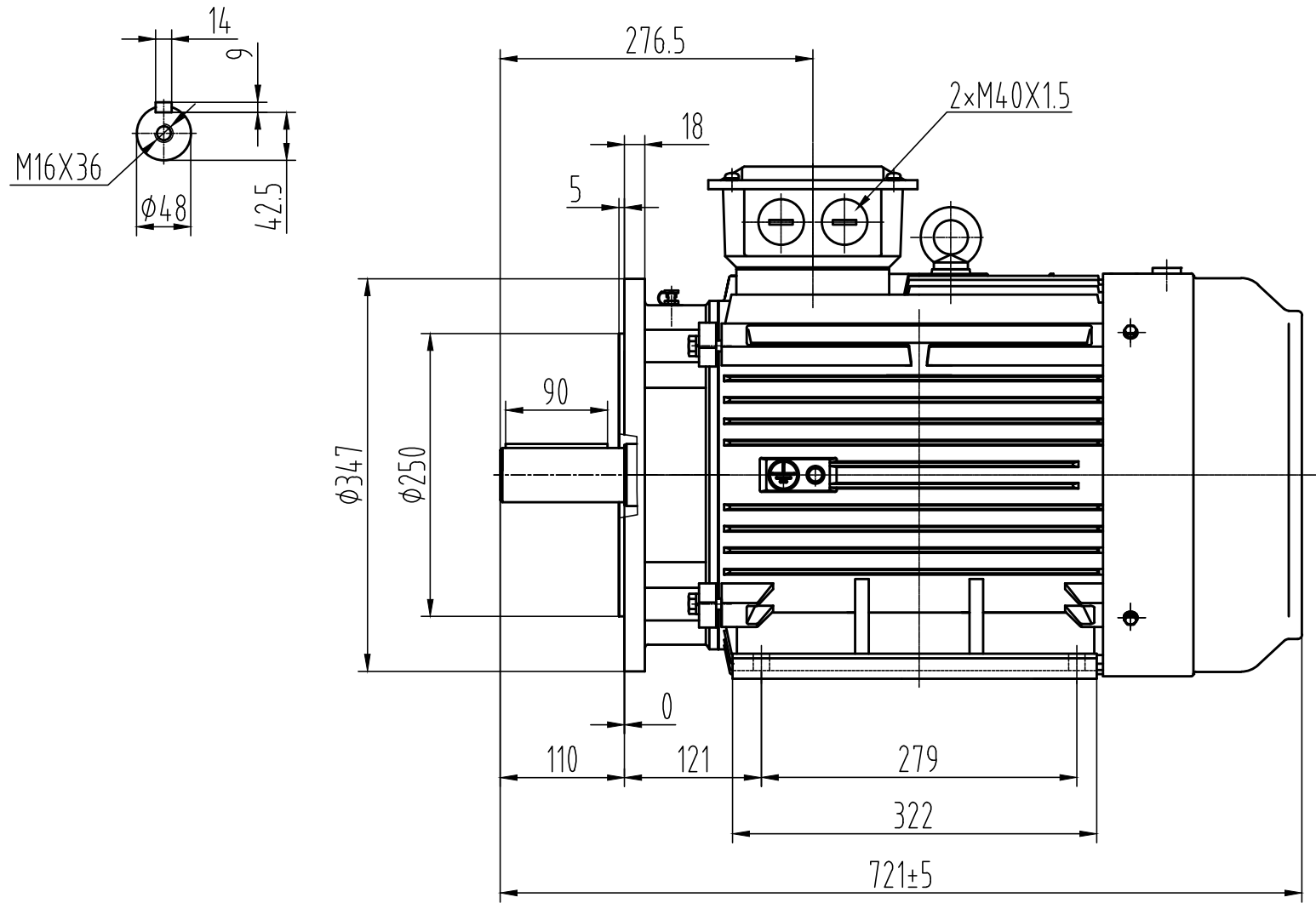


ROYCE CROSS GROUP



CUSTOMER APPROVAL _____

SIGNATURE

DATE

ROYCE
CROSS
ELECTRICMOTORGROUP

YE2-180L 2-8P (B35) DIMENSION OUTLINE	DATE		2013.1	CHK	
	DRAWN		zhang	APPD	
	ISSUE	A	DATE	CERTIFIED BY	
	ISSUE	B	DATE	CERTIFIED BY	
	ISSUE	C	DATE	CERTIFIED BY	
	ISSUE	D	DATE	CERTIFIED BY	