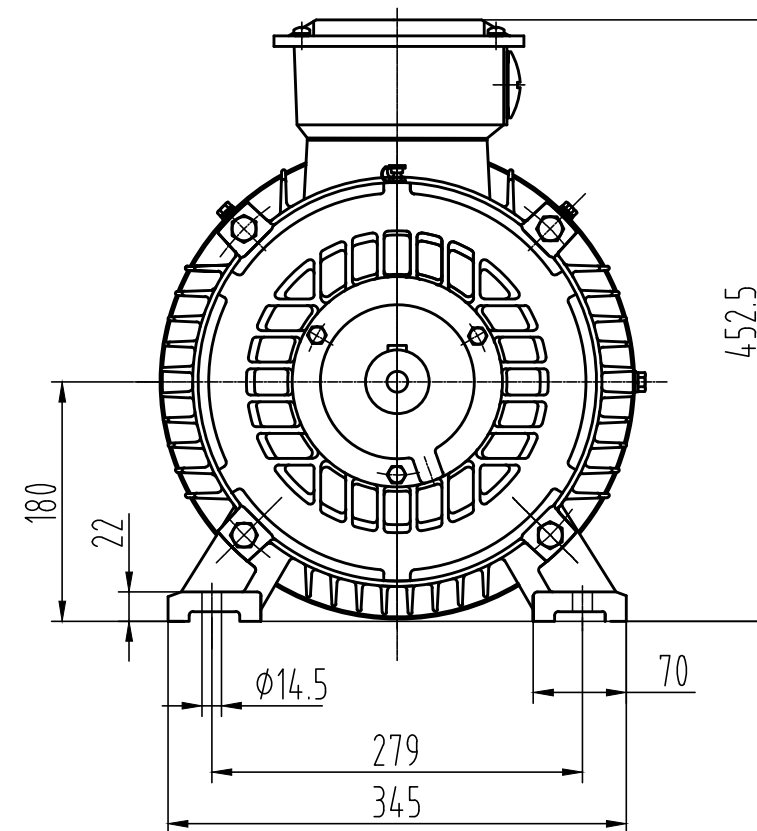
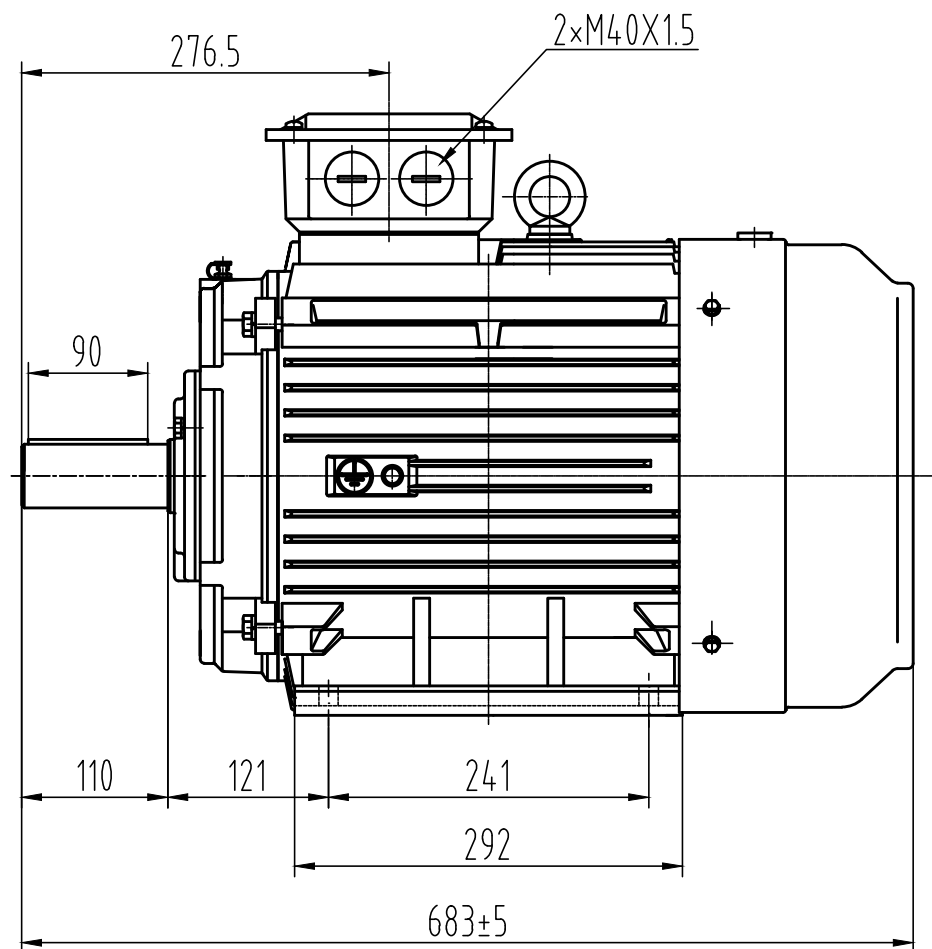
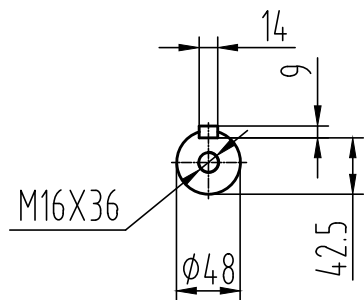


ROYCE CROSS GROUP



CUSTOMER APPROVAL _____

SIGNATURE

DATE

ROYCE
CROSS
ELECTRICMOTORGROUP

YE2-180M 2-4P (B3)
DIMENSION OUTLINE

DATE	2013.1	CHK	
DRAWN	zhang	APPD	
ISSUE	A	DATE	CERTIFIED BY
ISSUE	B	DATE	CERTIFIED BY
ISSUE	C	DATE	CERTIFIED BY
ISSUE	D	DATE	CERTIFIED BY