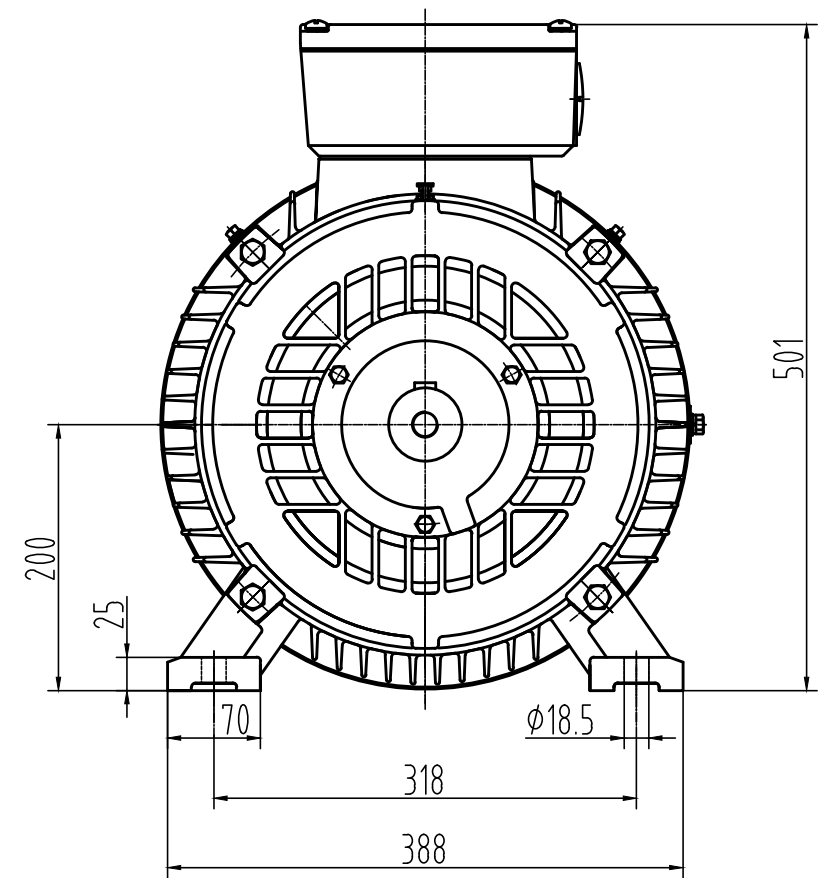
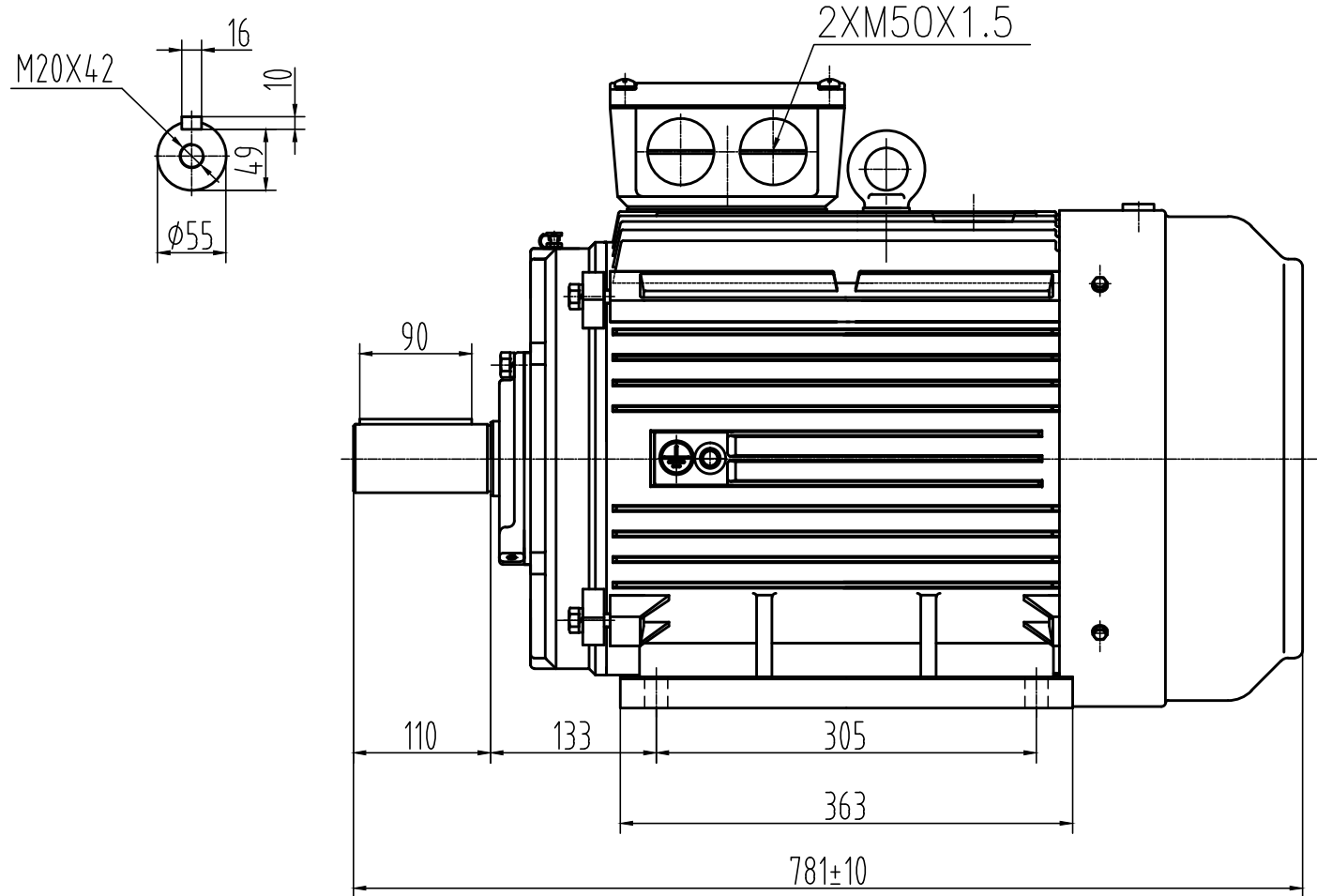


# ROYCE CROSS GROUP



CUSTOMER APPROVAL \_\_\_\_\_

SIGNATURE

DATE

YE2-200 2-8P (B3)  
DIMENSION OUTLINE

DATE	2013.1	CHK	
DRAWN	zhang	APPD	
ISSUE	A	DATE	CERTIFIED BY
ISSUE	B	DATE	CERTIFIED BY
ISSUE	C	DATE	CERTIFIED BY
ISSUE	D	DATE	CERTIFIED BY