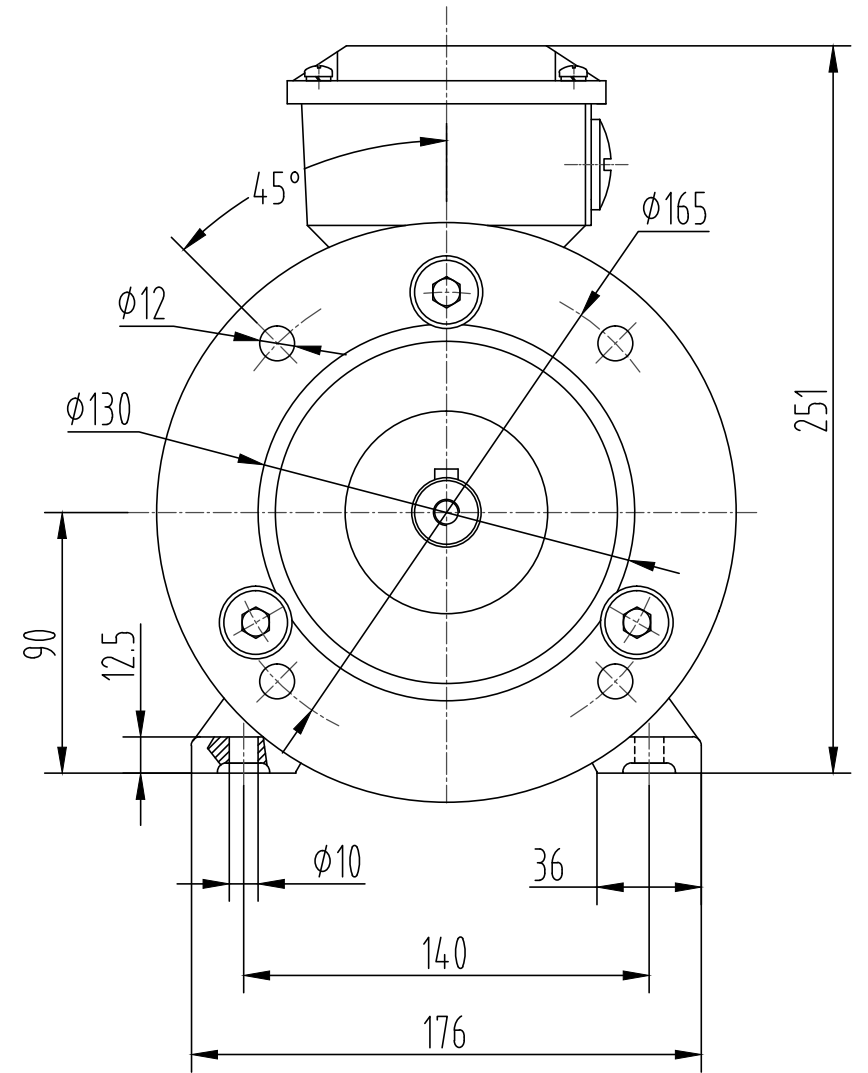
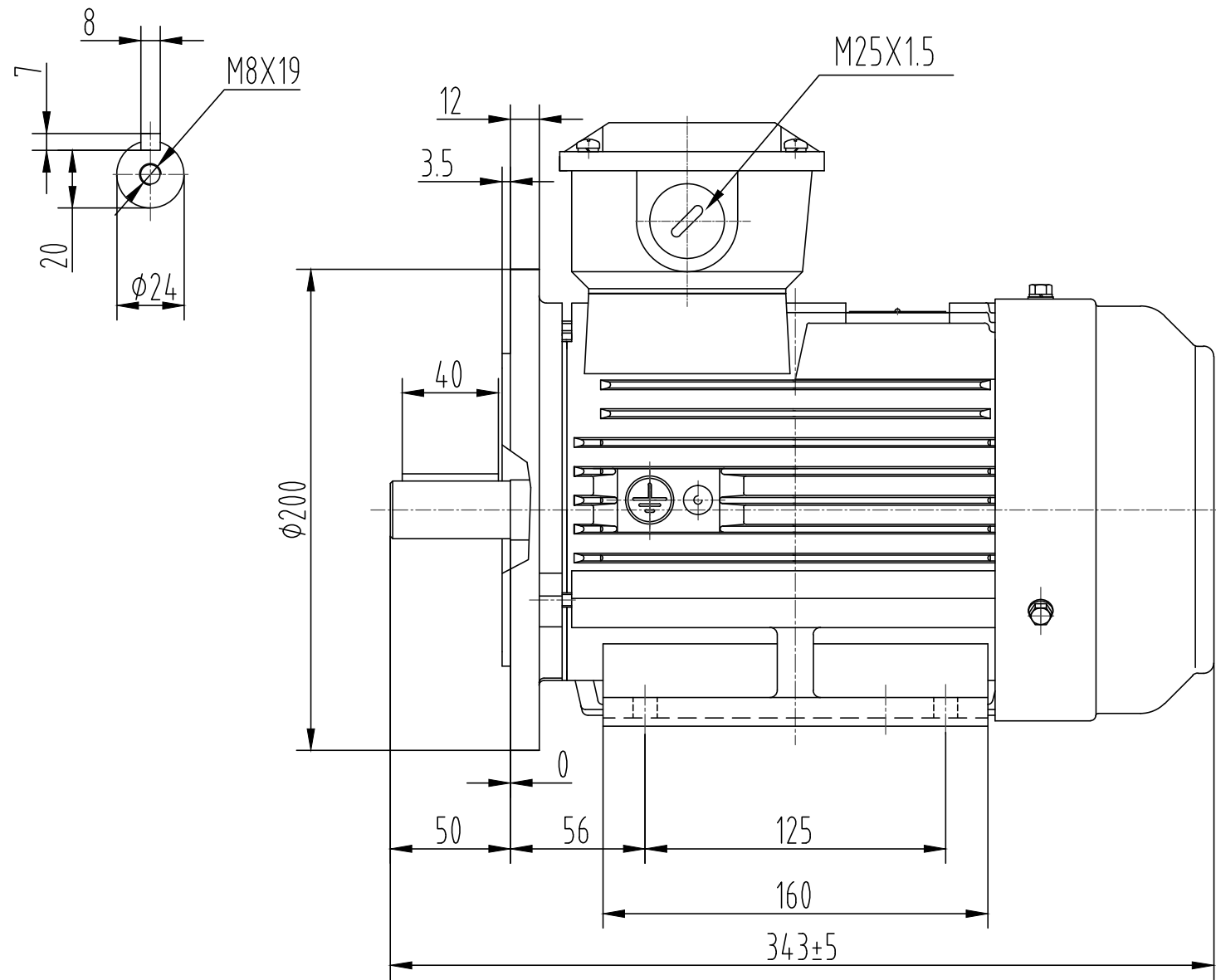


**ROYCE CROSS GROUP**



YE2-90L 2-8P (B35) DIMENSION OUTLINE	DATE		CHK	
	DRAWN		APPD	
	ISSUE	A	DATE	CERTIFIED BY
	ISSUE	B	DATE	CERTIFIED BY
	ISSUE	C	DATE	CERTIFIED BY
	ISSUE	D	DATE	CERTIFIED BY