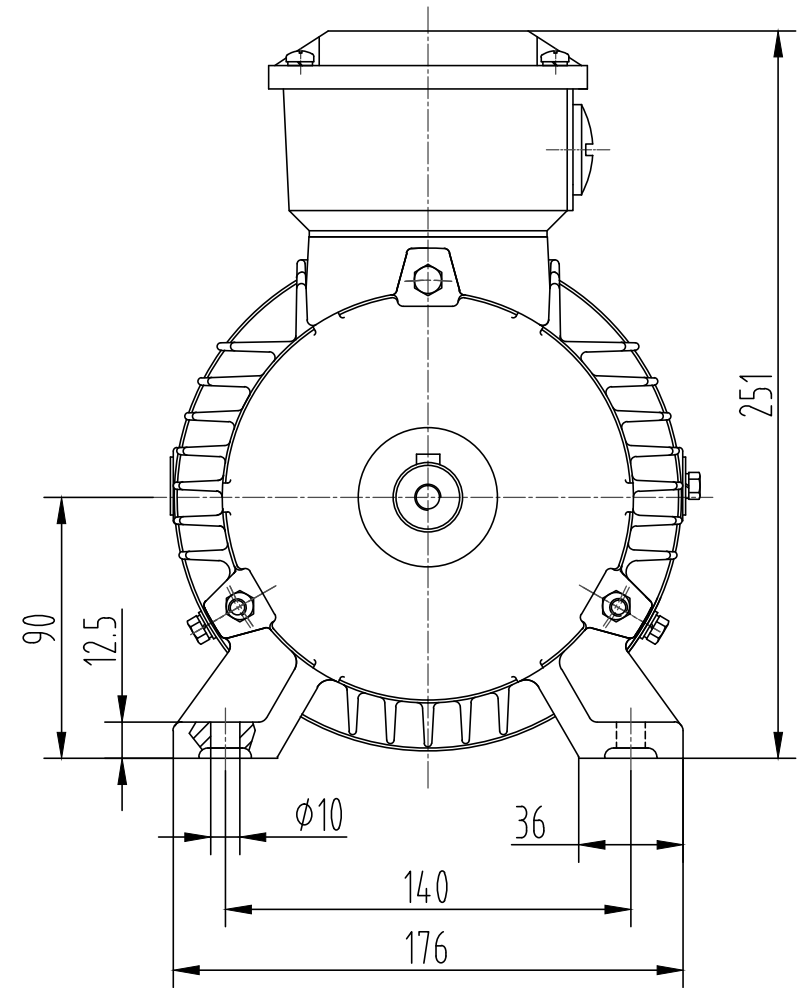
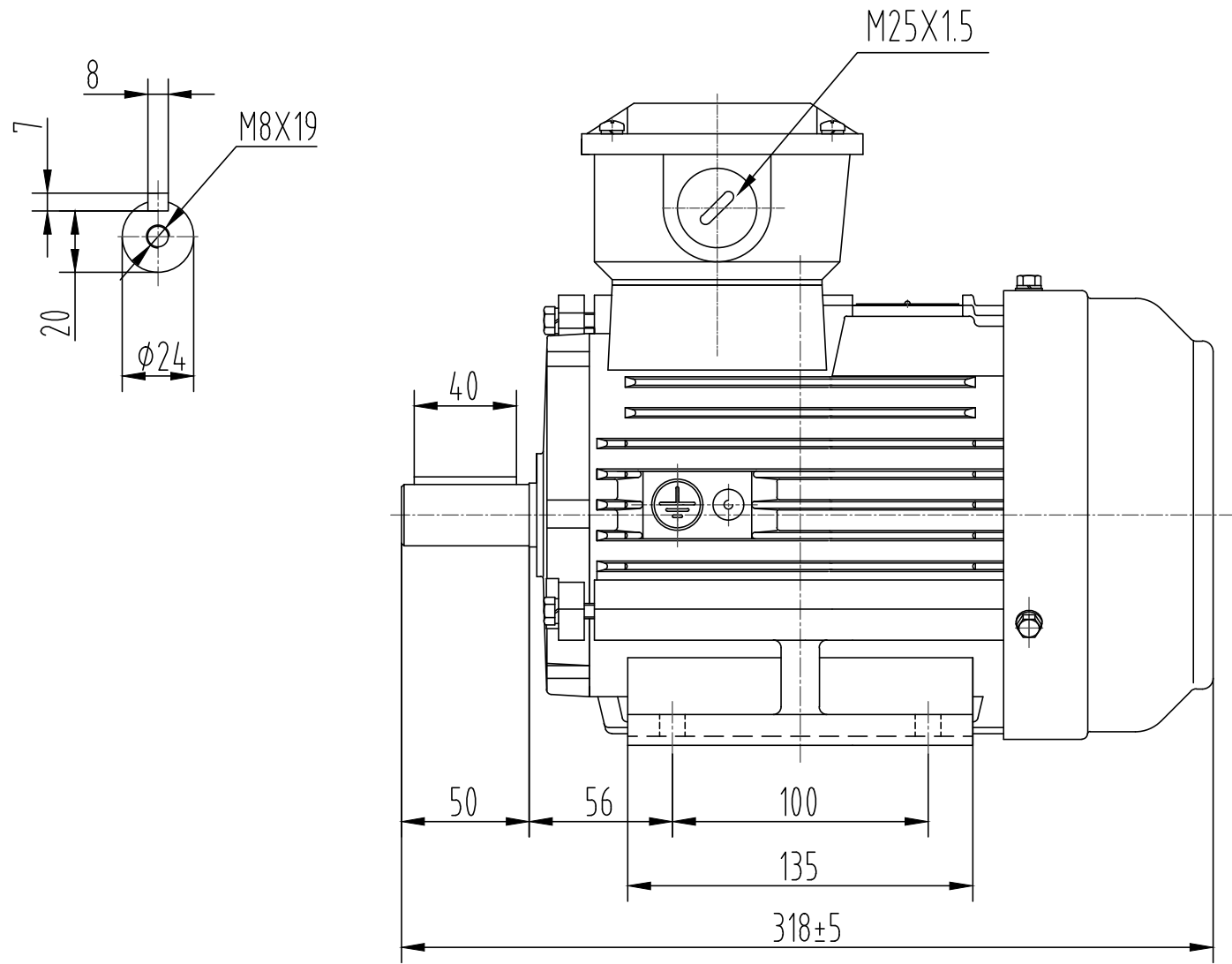


ROYCE CROSS GROUP



YE2-90S 2-8P (B3) DIMENSION OUTLINE	DATE		CHK	
	DRAWN		APPD	
	ISSUE	A	DATE	CERTIFIED BY
	ISSUE	B	DATE	CERTIFIED BY
	ISSUE	C	DATE	CERTIFIED BY
	ISSUE	D	DATE	CERTIFIED BY