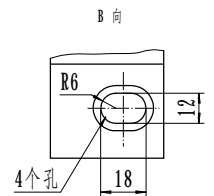
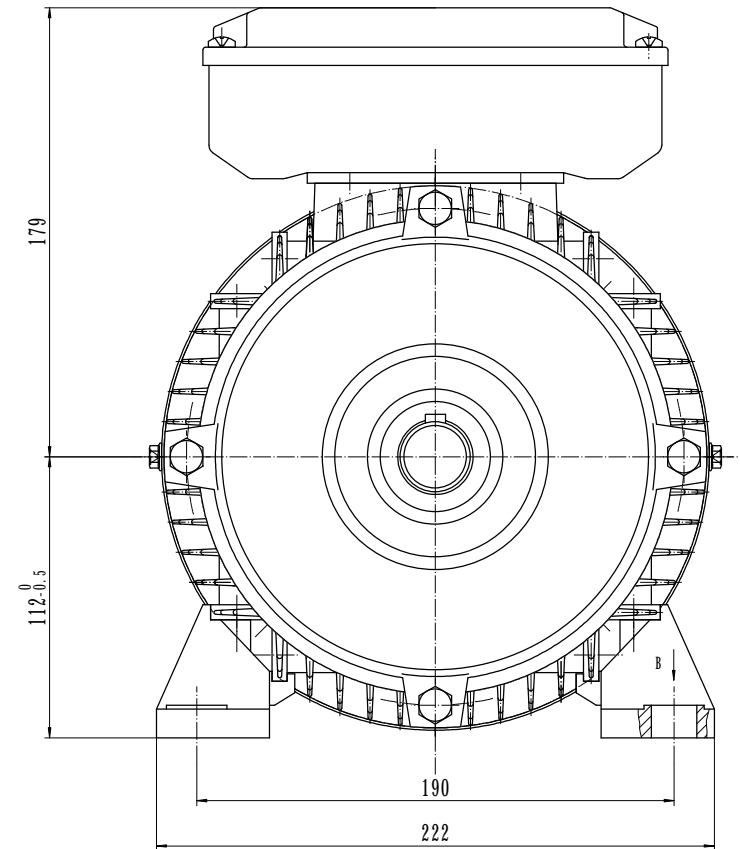
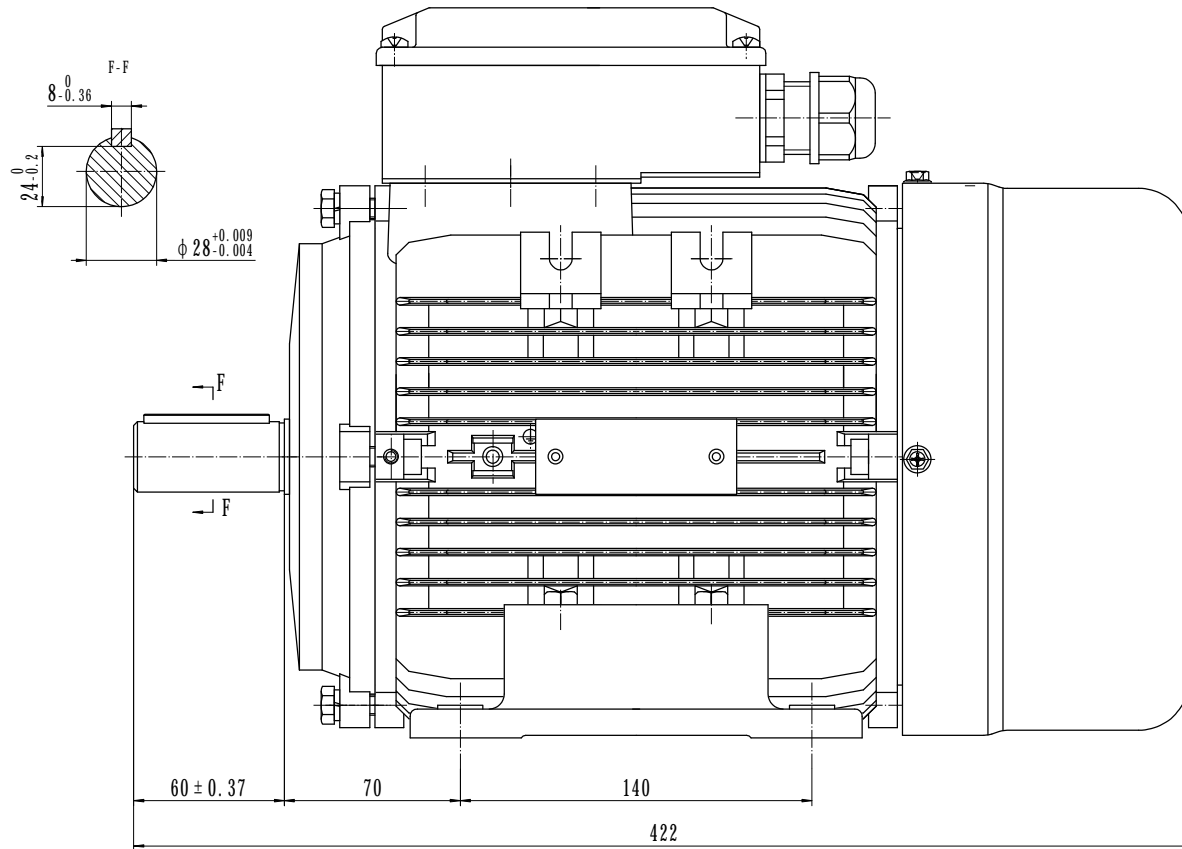


ROYCE CROSS GROUP

ML 112 FRAME (B3)



**ROYCE
CROSS**
ELECTRICMOTORGROUP