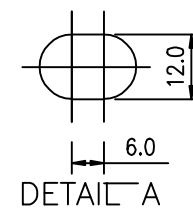
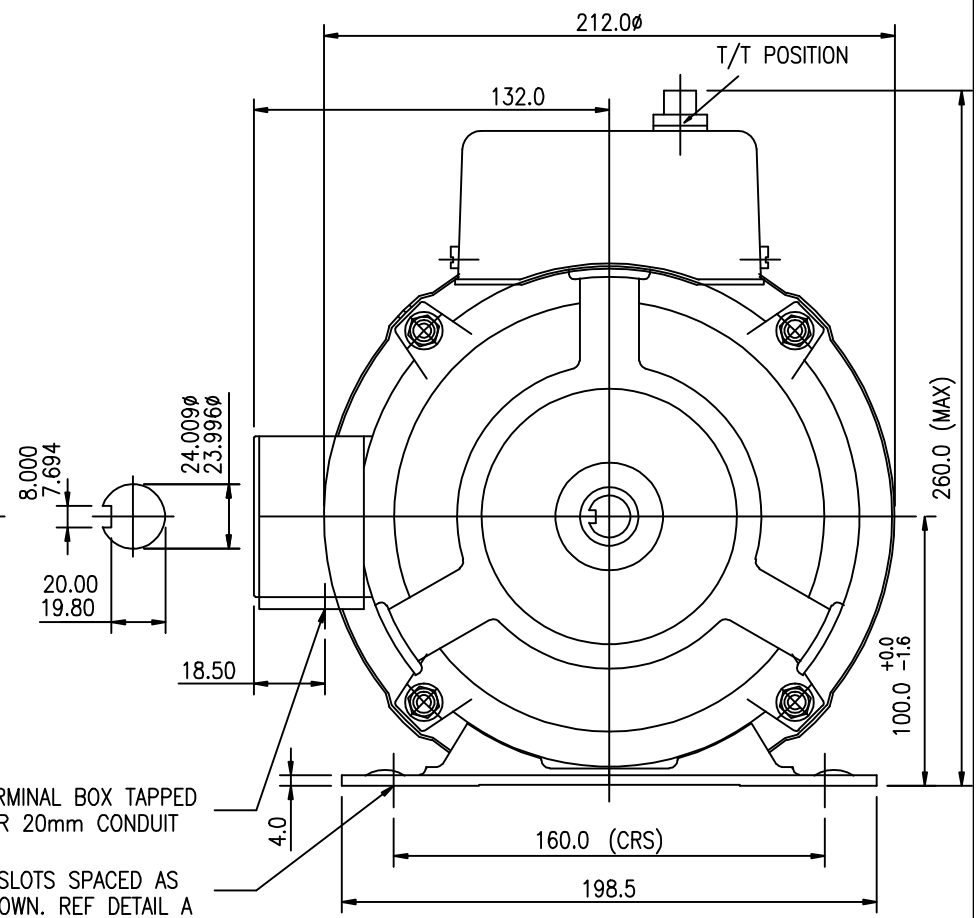
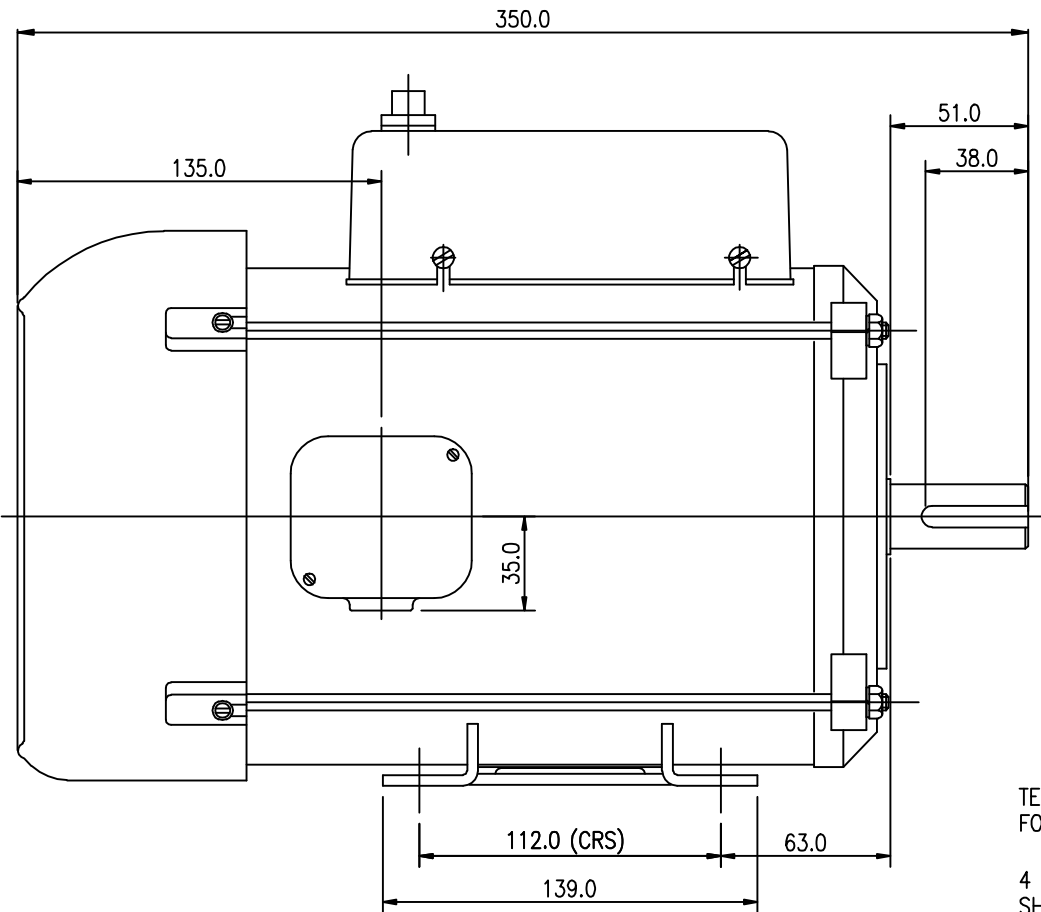


DRG.NO

S1.5B4CCG

FRAME

B100S



3 CORD STREET  
DUDLEY PARK SA 5008  
Ph: (08) 8269 4000  
Fax: (08) 8269 4000  
www.roycecross.com.au



DRAFTING  
STANDARD  
AS 1100

SIZE  
A3

TITLE

TOTALLY ENCLOSED CAPACITOR START - 1400RPM  
(B100S 350ML)

ALL DIMENSIONS ARE IN mm  
UNLESS OTHERWISE SPECIFIED  
TOL. 1 PLACE DECIMAL  $\pm 0.25$  ANGLE  $\pm 0.30^\circ$   
2 PLACE DECIMAL  $\pm 0.13$

MATL SPEC

|       |     |      |         |
|-------|-----|------|---------|
| DRN   | NL  | DATE | 1.12.08 |
| CHK   |     | APPD |         |
| SCALE | NTS |      |         |

USED  
ON

FRACTIONAL HORSE POWER  
FRAME 100S MOTOR  
TO IS996

|         |                         |           |     |
|---------|-------------------------|-----------|-----|
| KW      | 1.5                     | HP        | 2.0 |
| PART NO | S1.5B4CCG               | AMPS      | 9.9 |
| TYPE    | TEFC CAP START/ CAP RUN |           |     |
| CAP RUN | 15                      | CAP START | 200 |

BRAND



DRG  
NO

S1.5B4CCG

REV

CODE No.