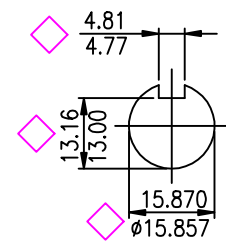


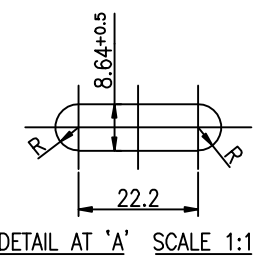
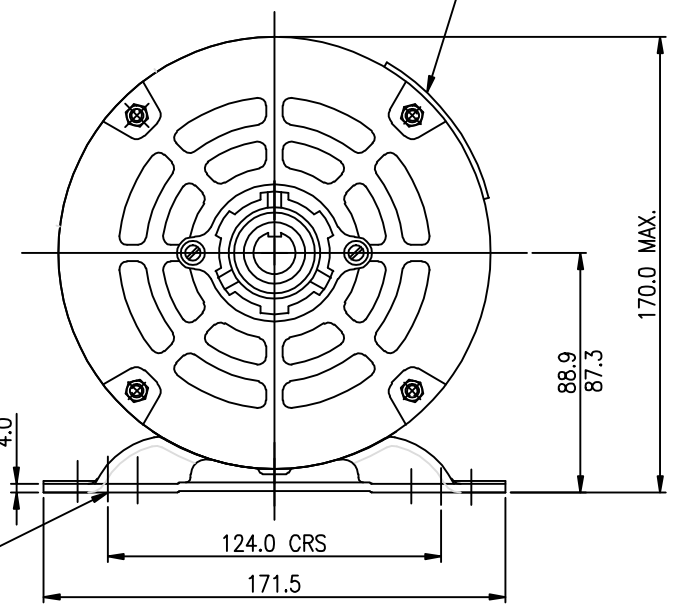
4.76 x 4.76 x 32.0 LG. SUPPLIED, IN TERM. BAG



4-SLOTS SPACED AS SHOWN REF. DETAIL 'A'

IF FITTED, THERMATRIP POSITION

NAME PLATE READ FROM OPP. CONDUIT ENTRY SIDE



DETAIL AT 'A' SCALE 1:1

CONTROL CHARACTERISTICS		
◻ MANDATORY MEASUREMENT	◊ FIT/FUNCTION SPC	△ SAFETY CHARACTERISTIC

ROYCE CROSS
ELECTRICMOTORGROUP



3 CORD STREET
DUDLEY PARK SA 5008
Ph: (08) 8269 4000
Fax: (08) 8269 4000
www.roycecross.com.au

PROJECTION 	DRAFTING STANDARD AS 1100	SIZE A4
ALL DIMENSIONS ARE IN mm UNLESS OTHERWISE SPECIFIED TOL. 1 PLACE DECIMAL ± 0.25 ANGLE ± 0.30° 2 PLACE DECIMAL ± 0.13		
MATL	SPEC	

TITLE DRIP PROOF - SPLIT PHASE - 1400RPM (B56 220ML)			
DRN	NL	DATE	12.01.09
CHK		APPD	
SCALE	NTS		

USED	FR M56 WITH STANDARD FOOT		
KW	0.37	HP	1/2
PART NO	S.37C4SCG	AMPS	4.00
TYPE SPLIT PHASE OPEN DRIFT PROOF			
CAP RUN	-	CAP START	-

BRAND	Crompton Greaves
DRG NO	S.37C4SCG
REV	
CODE No.	