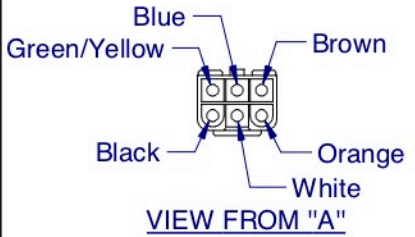
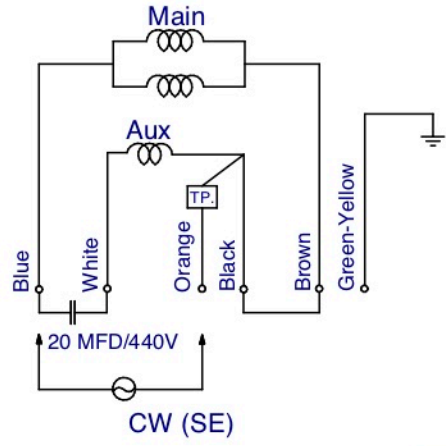
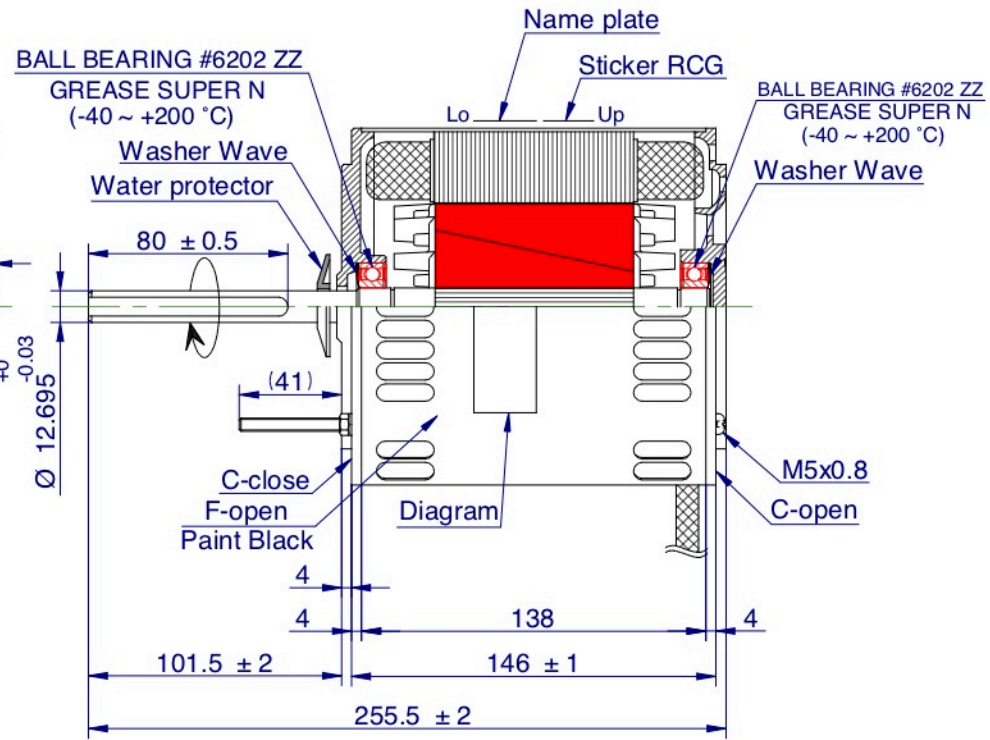
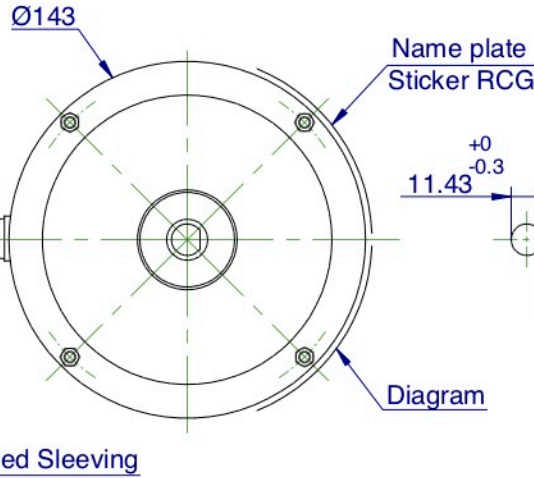


TO CHANGE ROTATION :

Interchange Blue And Brown Leads Only



6-Lead AWG-18 UL1015 @ 750 ± 25 mm.
Blue/White/Black/Brown/Orange/Green-Yellow
with terminal Pin : 1010T &
terminal housing Female : P6-00226-S



DATA TEST NO.	W443-2066-SL	
APPLICABLE MODEL	PM3100173	
SPECIFICATION	NO. OF PHASE	1 PHASE
	NO. OF POLE	4 P.
	RATED RPM.	50Hz 1300 60Hz ---
	VOLTAGE	240 V.
	CURRENT	5.74 A.
WINDING RESISTANCE (REF. 20")	M COIL	4.41 Ω
	S COIL	10.43 Ω
	SP1 COIL	--- Ω
	SP2 COIL	--- Ω
THERMAL PROTECTOR	17AM - 150°C Refer P/N.R330-0035	
INSULATION CLASS	B	
METHOD OF COOLING	A.O.M.	
DEGREE OF PROTECTION	IP20	
WEIGHT	9.85 KGS.	



STICKER RCG

RCT85-7504S-ODP-B02CBT			
0.75kW , 4P , 5.74Amp	Cap. 20 mfd	Frame 48	
240V , 1Ph , 50Hz	Rating Cont	Mounting extended tie rods	
Rpm 1300	Ins. Class B	Serial No. DDMMYYXXXX	

NAMEPLATE

WARNING

MOTOR FITTED WITH INTERNAL AUTO RESET OVERLOAD AND MAY RESTART WITHOUT WARNING

TO CHANGE ROTATION : Interchange Blue And Brown Leads Only

DIAGRAM

THIS DRAWING MAY BE USED IN WHOLE OR PART ,PROVIDED THE PIONEER MOTOR NAME & LOGO ARE VISIBLE IN ANY REPRODUCTION.

THIRD ANGLE PROJECTION	FINISH:	DESCRIPTION:	REFER TO :
	ASSEMBLY	MOTOR OUTLINE	QR2627 ECN No.9573
	ROYCECROSS	Q'TY 1	APPLICATION OUTDOOR MOTOR
NON SCALES			

- Notes :
1. After the motor is complete, applied rust proof oil at shaft end.
 2. The tensile strength of each lead wire at least 4 Kgs.
 3. The runout of the shaft end circumference 0.10 mm.
 4. Motor can use triac control
 5. One special lead supply