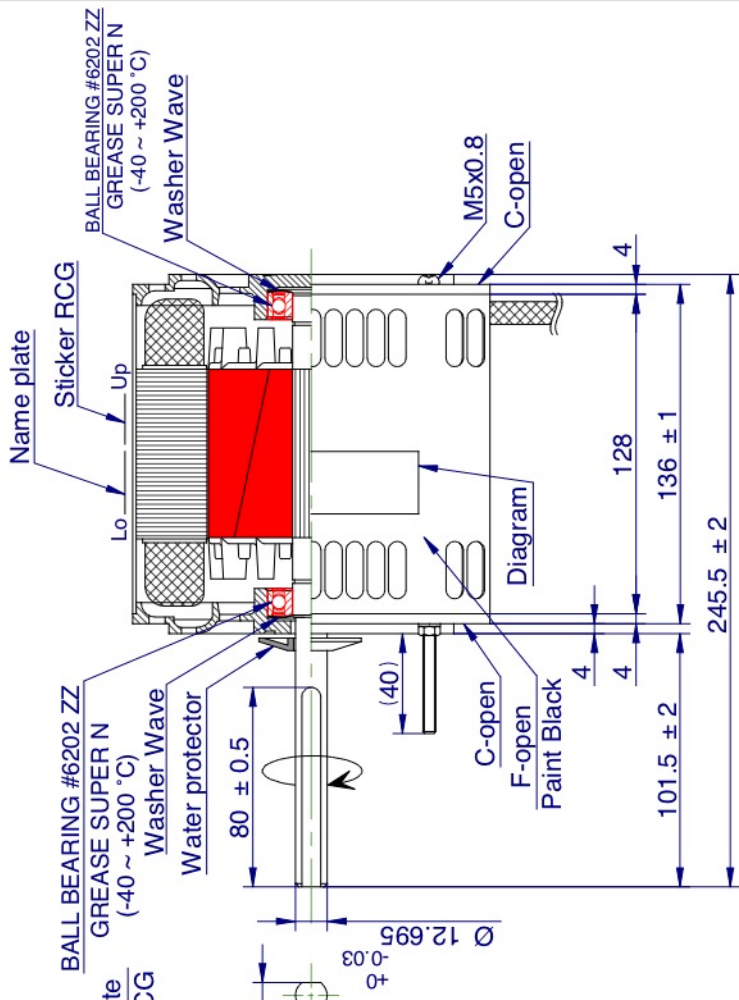
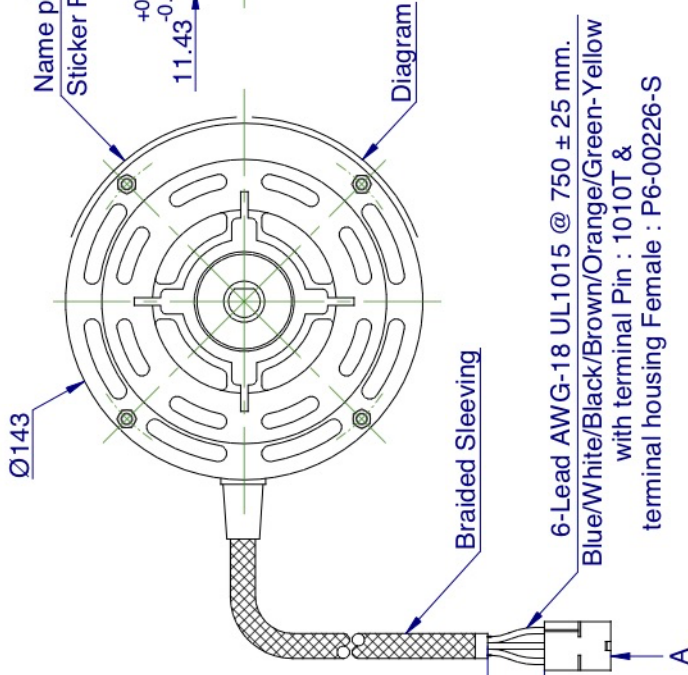
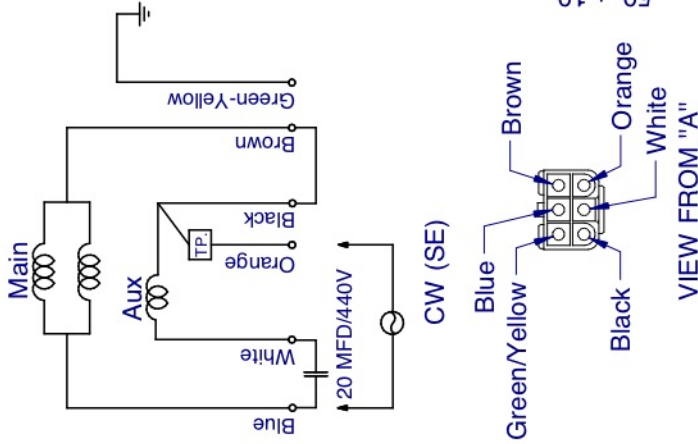


TO CHANGE ROTATION :

Interchange Blue And Brown Leads Only



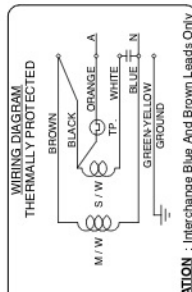
STICKER RCG

RC785-6004S-ODP-B02CBT

0.60kW , 4P , 4.30Amp	Cap.	20 mfd	Frame	48
240V , 1Ph , 50Hz	Rating	Cont	Mounting	extended tie rods
Rpm 1300	Ins. Class	B	Serial No.	DDMMYYXXXX

WARNING

MOTOR FITTED WITH INTERNAL AUTO RESET OVERLOAD AND MAY RESTART WITHOUT WARNING



DIAGRAM

NAMEPLATE

THIS DRAWING MAY BE USED IN WHOLE OR PART ,PROVIDED THE PIONEER MOTOR NAME & LOGO ARE VISIBLE IN ANY REPRODUCTION.



THIRD ANGLE PROJECTION

FINISH:	DESCRIPTION:	REFER TO :
ASSEMBLY	MOTOR OUTLINE	ECN No.9573
ROYCECROSS	Q'TY APPLICATION	Group Code:
NON	1 OUTDOOR MOTOR	FF85B

NON

SCALES

Notes :

- After the motor is complete, applied rust proof oil at shaft end.
- The tensile strength of each lead wire at least 4 Kgs.
- The runout of the shaft end circumference 0.10 mm.
- Motor can use triac control
- One special lead supply

DATA TEST NO.	W443-2084-SL
APPLICABLE MODEL	PM330496
NO. OF PHASE	1 PHASE
NO. OF POLE	4 P.
RATED RPM.	50Hz 1300 60Hz ---
VOLTAGE	240 V.
CURRENT	4.30 A.
OUTPUT	600 W.
M COIL	6.76 Ω
S COIL	11.01 Ω
SP1 COIL	---
SP2 COIL	---
THERMAL PROTECTOR	17AM - 150°C Refer P/N.R330-0035
INSULATION CLASS	B
METHOD OF COOLING	A.O.M.
DEGREE OF PROTECTION	IP20
WEIGHT	8.58 KGS.