

RCG ELECTRICMOTORGROUP			
RCT85-3104S-ODP-B02BR			
0.31kW, 4P, 3.6Amp	Cap. 15 mfd	Frame 48	
240V, 1Ph, 50Hz	Rating Cont	Mounting Res. mt	
Rpm 1350	Ins. Class B	Serial No. 000001	

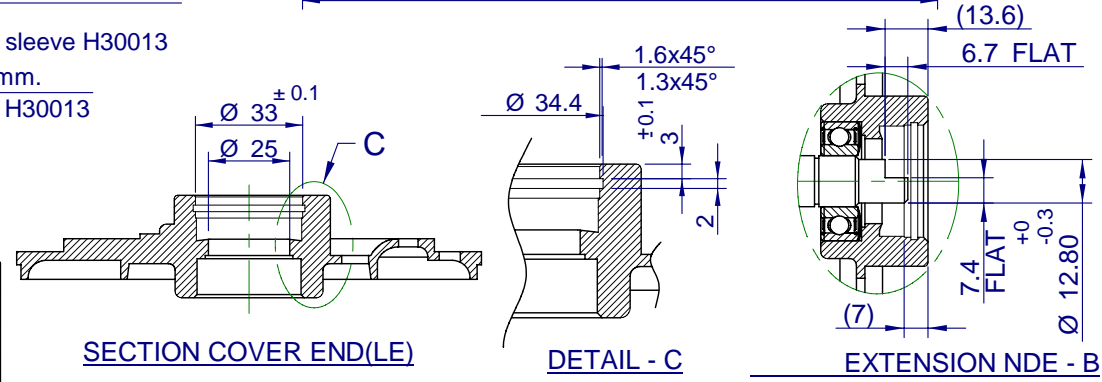
NAMEPLATE

WARNING

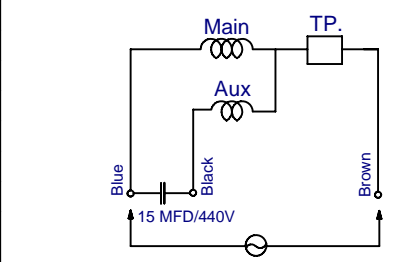
MOTOR FITTED WITH INTERNAL AUTO RESET OVERLOAD AND MAY RESTART WITHOUT WARNING

WIRING DIAGRAM THERMALLY PROTECTED

DIAGRAM



DATA TEST NO.	W443-1022-SL	
APPLICABLE MODEL	PM3102235 A1	
SPECIFICATION	NO. OF PHASE	1 PHASE
	NO. OF POLE	4 P.
	RATED RPM.	50Hz 1350 60Hz ---
	VOLTAGE	240 V.
WINDING RESISTANCE (REF. 20°)	CURRENT	3.6 A.
	OUTPUT	500 W.
	M COIL	10.91 OHM.
	S COIL	42.01 OHM.
THERMAL PROTECTOR	SP1 COIL	--- OHM.
	SP2 COIL	--- OHM.
INSULATION CLASS	17AM - 150° C Refer P/N.R330-0035	
METHOD OF COOLING	B	
DEGREE OF PROTECTION	A.O.M.	
WEIGHT	IP20	
	6.62 KGS.	



- Notes :
1. After the motor is complete, applied rust proof oil at shaft end.
 2. The tensile strength of each lead wire at least 4 Kgs.
 3. The runout of the shaft end circumference 0.10 mm.

THIRD ANGLE PROJECTION

SHAFT

Royce Cross Agencies

FINISH:	DESCRIPTION:	REFER TO :
ASSEMBLY	MOTOR OUTLINE	ECN No.7387
CUSTOMER:	Q'TY	APPLICATION
	1	INDOOR MOTOR
DRAWN	DESIGNED	DWG.&Part No.
THANATCHA	SUKSAN	FF85B
07/07/12	07/07/12	Rev.No. Group
		1
CHECKED	APPROVED	Sheet :
ROYCECROSS	ROYCECROSS	1 of 2
07/07/12	07/07/12	
UNIT	mm.	
Storage Location ; H:\Appd DWG\Outline\FF85B		