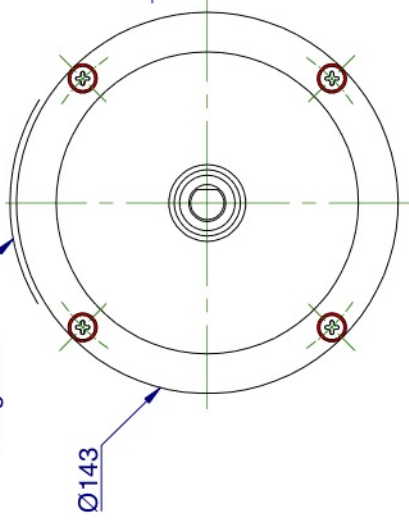
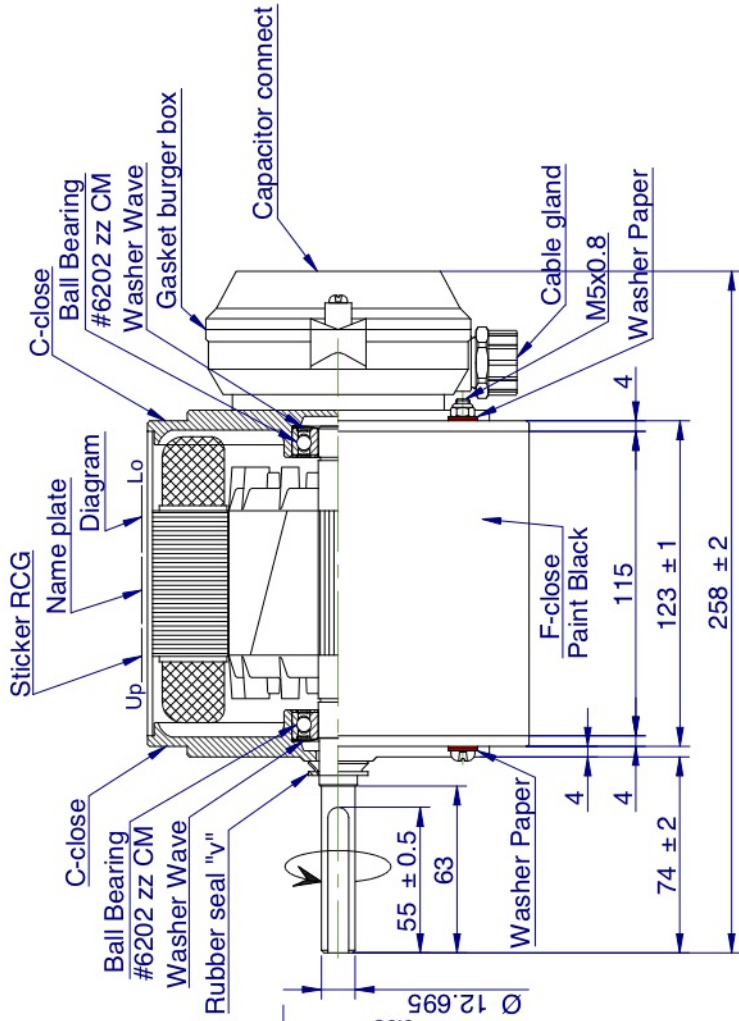


Sticker RCG
Name plate
Diagram



+0
-0.3
11.43

Ø 12.695
+0.03



STICKER RCG

RC T85-2506S-TE-M02

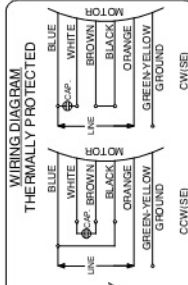
0.25KW , 6P , 2.3Amp	Cap.	4 mfd	Frame	48
240V , 1Ph , 50Hz	Rating	Cont	Mounting	Nil
Rpm 910	Ins. Class	B	Serial No.	DDMMYYXXXX

NAMEPLATE

DIAGRAM

WARNING

MOTOR FITTED WITH INTERNAL AUTO RESET OVERLOAD AND MAY RESTART WITHOUT WARNING



THIS DRAWING MAY BE USED IN WHOLE OR PART .PROVIDED THE PIONEER MOTOR NAME & LOGO ARE VISIBLE IN ANY REPRODUCTION.



THIRD ANGLE PROJECTION

FINISH:	DESCRIPTION:	REFER TO :
ASSEMBLY	MOTOR OUTLINE	ECN No.8354
CUSTOMER:	Q'TY	Group Code:
ROYCECROSS	1	FF85B
DRAWN	DESIGNED	APPROVED
THANATCHA	KITTISAK	WEERAPAN
16/08/18	16/08/18	16/08/18
NON	UNIT	Rev.No.
SCALES	mm.	4
		Sheet :
		1 of 2

Remark : Part No. Capacitor R330-5825

Notes :

1. After the motor is complete, applied rust proof oil at shaft end.
2. The tensile strength of each lead wire at least 4 Kgs.
3. The runout of the shaft end circumference 0.08 mm.

DATA TEST NO.	W443-1570-SL
APPLICABLE MODEL	PM310380 A1
NO. OF PHASE	1 PHASE
NO. OF POLE	6 P.
RATED RPM.	50Hz 910 60Hz ---
VOLTAGE	240 V.
CURRENT	2.30 A.
OUTPUT	250 W.
M COIL	12.39 Ω
S COIL	46.71 Ω
SP1 COIL	---
SP2 COIL	---
THERMAL PROTECTOR	17AM - 150°C Refer P/N.R330-0035
INSULATION CLASS	B
METHOD OF COOLING	A.O.M.
DEGREE OF PROTECTION	IP54
WEIGHT	7.50 KGS.