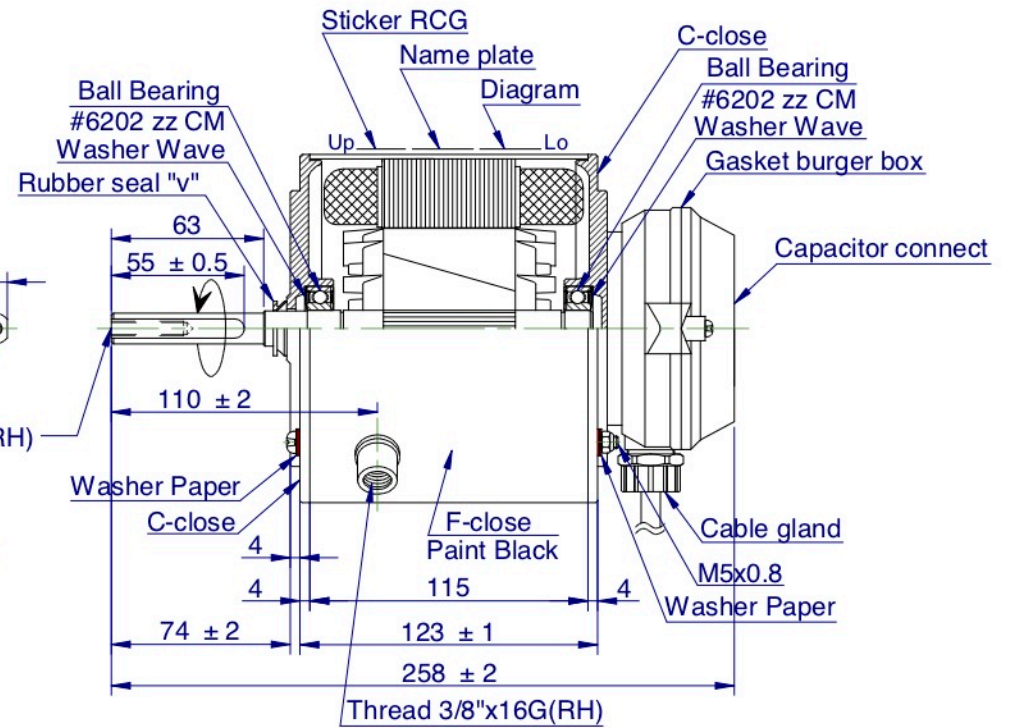


10A 250V (N19694)

Lead Multi core cable (VDE NSW23477 60245 H07RN-F 3G 1.0 mm²) NBR Black
Lead wire length 1950 ± 25 mm.



DATA TEST NO.	W443-1570-SL	
APPLICABLE MODEL	PM3103108 A1	
SPECIFICATION	NO. OF PHASE	1 PHASE
	NO. OF POLE	6 P.
	RATED RPM.	50Hz 910 60Hz ---
	VOLTAGE	240 V.
	CURRENT	2.30 A.
WINDING RESISTANCE (REF. 20°)	M COIL	12.39 Ω
	S COIL	46.71 Ω
	SP1 COIL	--- Ω
	SP2 COIL	--- Ω
THERMAL PROTECTOR	17AM - 150°C Refer P/N.R330-0035	
INSULATION CLASS	B	
METHOD OF COOLING	A.O.M.	
DEGREE OF PROTECTION	IP54	
WEIGHT	7.71 KGS.	



STICKER RCG

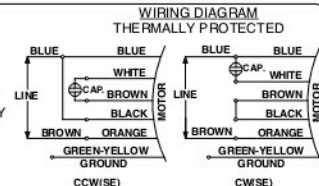
RCT85-2506S-TE-F04

0.25kW , 6P , 2.3Amp	Cap.	4 mfd	Frame	48
240V , 1Ph , 50Hz	Rating	Cont	Mounting	Pad
Rpm 910	Ins. Class	B	Serial No.	DDMMYYXXXX

NAMEPLATE

WARNING

MOTOR FITTED WITH INTERNAL AUTO RESET OVERLOAD AND MAY RESTART WITHOUT WARNING



DIAGRAM

THIS DRAWING MAY BE USED IN WHOLE OR PART ,PROVIDED THE PIONEER MOTOR NAME & LOGO ARE VISIBLE IN ANY REPRODUCTION.

THIRD ANGLE PROJECTION	FINISH:	DESCRIPTION:	REFER TO :
	ASSEMBLY	MOTOR OUTLINE	ECN No.8354 ECN No.9170
NON SCALES	ROYCECROSS	Q'TY	APPLICATION
		1	OUTDOOR MOTOR
		Group Code:	FF85B

Remark : Part No. Capacitor R330-5825

Notes :

1. After the motor is complete, applied rust proof oil at shaft end.
2. The tensile strength of each lead wire at least 4 Kgs.
3. The runout of the shaft end circumference 0.08 mm.