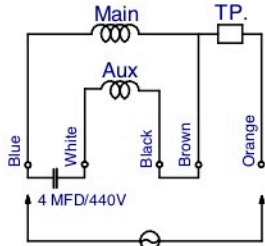
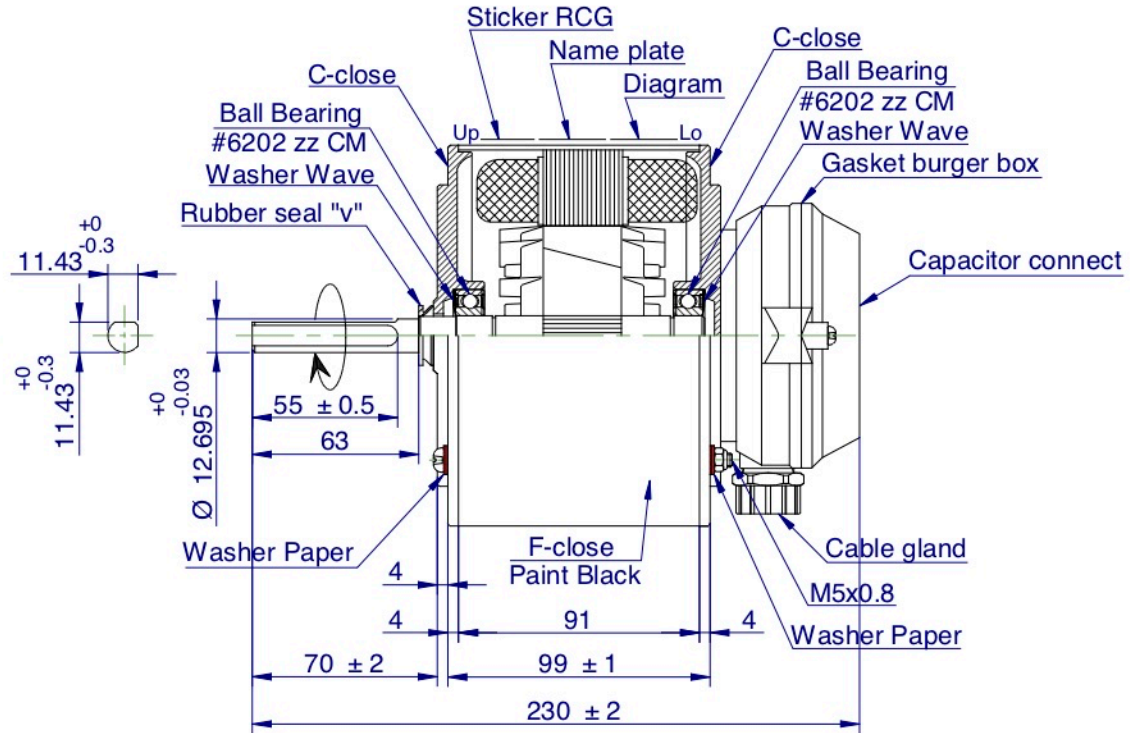
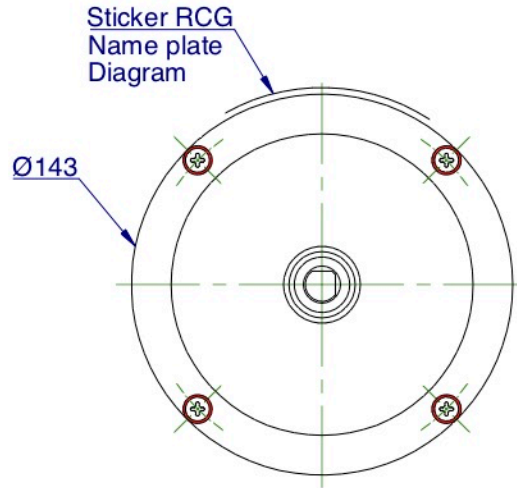


CCW (SE)



CW (SE)



DATA TEST NO.		W443-1573-SL		
APPLICABLE MODEL		PM3104156 A1		
SPECIFICATION	NO. OF PHASE	1 PHASE		
	NO. OF POLE	4 P.		
	RATED RPM.	50Hz	1380	
		60Hz	---	
	VOLTAGE	240 V.		
CURRENT	1.25 A.			
OUTPUT	180 W.			
WINDING RESISTANCE (REF. 20°)	M COIL	30.52 Ω		
	S COIL	99.58 Ω		
	SP1 COIL	--- Ω		
	SP2 COIL	--- Ω		
THERMAL PROTECTOR	17AM - 150°C Refer P/N.R330-0035			
INSULATION CLASS	B			
METHOD OF COOLING	A.O.M.			
DEGREE OF PROTECTION	IP54			
WEIGHT	5.03 KGS.			



STICKER RCG

RCT85-1804S-TE-M02			
0.18kW , 4P , 1.25Amp	Cap.	4 mfd	Frame 48
240V , 1Ph , 50Hz	Rating	Cont	Mounting Nil
Rpm 1380	Ins. Class	B	Serial No. DDMYYXXX

NAMEPLATE

WARNING

MOTOR FITTED WITH INTERNAL AUTO RESET OVERLOAD AND MAY RESTART WITHOUT WARNING

WIRING DIAGRAM
THERMALLY PROTECTED

DIAGRAM

Remark : Part No. Capacitor R330-5825

- Notes :
1. After the motor is complete, applied rust proof oil at shaft end.
 2. The tensile strength of each lead wire at least 4 Kgs.
 3. The runout of the shaft end circumference 0.08 mm.

THIS DRAWING MAY BE USED IN WHOLE OR PART ,PROVIDED THE PIONEER MOTOR NAME & LOGO ARE VISIBLE IN ANY REPRODUCTION.

 THIRD ANGLE PROJECTION NON SCALES	FINISH:	DESCRIPTION:	REFER TO :	
	ASSEMBLY	MOTOR OUTLINE	ECN No.8354	
	ROYCECROSS	Q'TY 1	APPLICATION OUTDOOR MOTOR	Group Code: FF85B