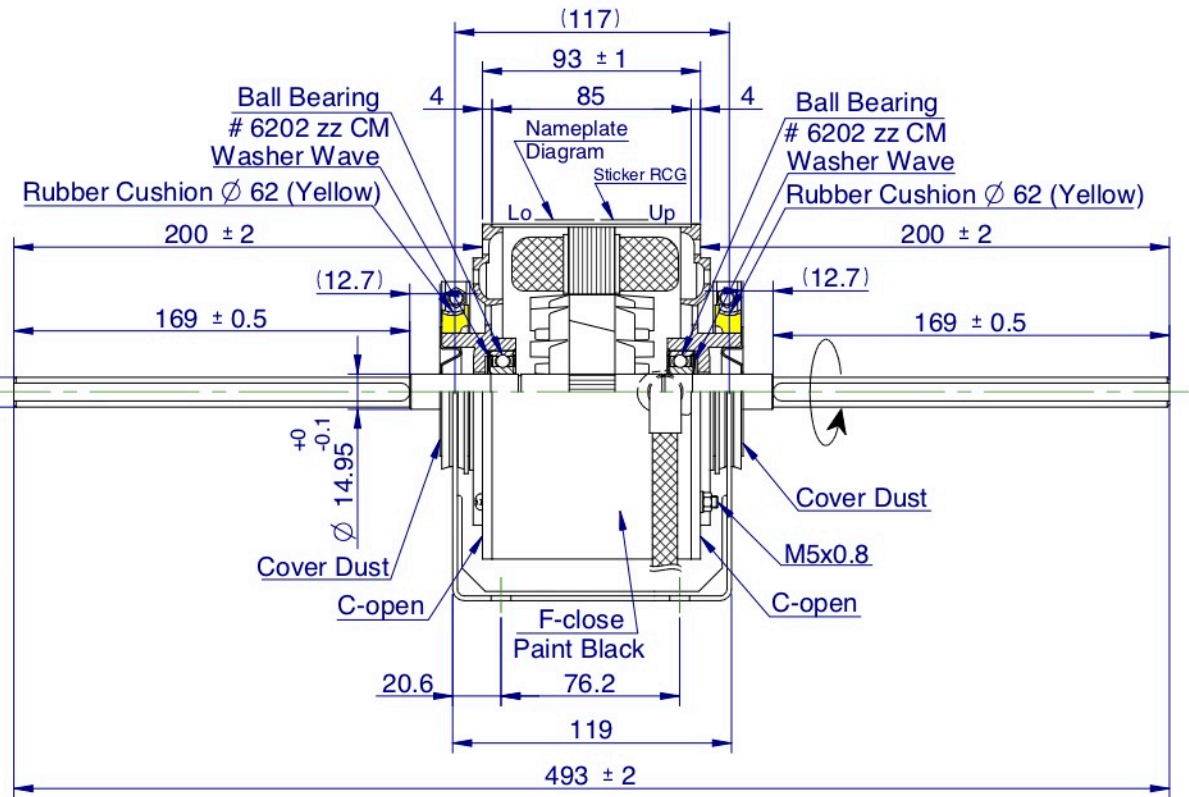


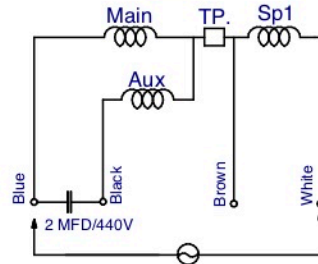
4-Lead AWG-20 UL1015 @ 1440 ± 25 mm. (Blue/Brown/Black/White)
 With terminal splice : H29101 (6 mm.)
 Ground wire AWG-18 UL1015 @ 1440 ± 25 mm.
 With terminal splice : H29101 (6 mm.) (Green/Yellow)



DATA TEST NO.	W443-1587-SL	
APPLICABLE MODEL	PM4108354	
SPECIFICATION	NO. OF PHASE	1 PHASE
	NO. OF POLE	4 P.
	RATED RPM.	50Hz 1370/1100 60Hz ---
	VOLTAGE	240 V.
	CURRENT	1.10 A.
WINDING RESISTANCE	OUTPUT	100 W.
	EFFICIENCY	46.3 %
	M COIL	47.03 Ω
	S COIL	172.51 Ω
(REF. 20")	SP1 COIL	76.59 Ω
	SP2 COIL	--- Ω
THERMAL PROTECTOR	17AM - 150°C Refer P/N.R330-0035	
INSULATION CLASS	B	
METHOD OF COOLING	A.O.M.	
DEGREE OF PROTECTION	IP21	
WEIGHT	4.26 KGS.	



STICKER RCG



Remark : Part No. Capacitor R330-5585
 Notes :
 1. After the motor is complete, applied rust proof oil at shaft end.
 2. The tensile strength of each lead wire at least 4 Kgs.
 3. The runout of the shaft end circumference 0.16 mm.

RCT85-1004DS-ODP-C02			
0.10kW , 4P , 1.1Amp	Cap. 2 mfd	Frame 48	
240V , 1Ph , 50Hz	Rating Cont	Mounting Res.mt	
Rpm 1370/1100	Ins. Class B	Serial No. xxxxxxxxxx	

NAMEPLATE

WARNING

MOTOR FITTED WITH INTERNAL AUTO RESET OVERLOAD AND MAY RESTART WITHOUT WARNING

WIRING DIAGRAM THERMALLY PROTECTED

DIAGRAM

THIS DRAWING MAY BE USED IN WHOLE OR PART ,PROVIDED THE PIONEER MOTOR NAME & LOGO ARE VISIBLE IN ANY REPRODUCTION.

THIRD ANGLE PROJECTION	FINISH:	DESCRIPTION:	REFER TO :
	ASSEMBLY	MOTOR OUTLINE	ECN No.7321 ECN No.7495
	ROYCECROSS	Q'TY 1	APPLICATION INDOOR MOTOR
NON SCALES		Group Code: FF85B	