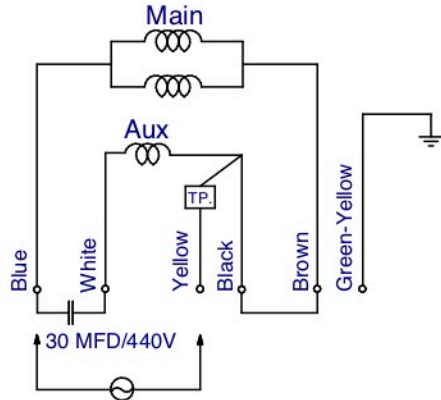
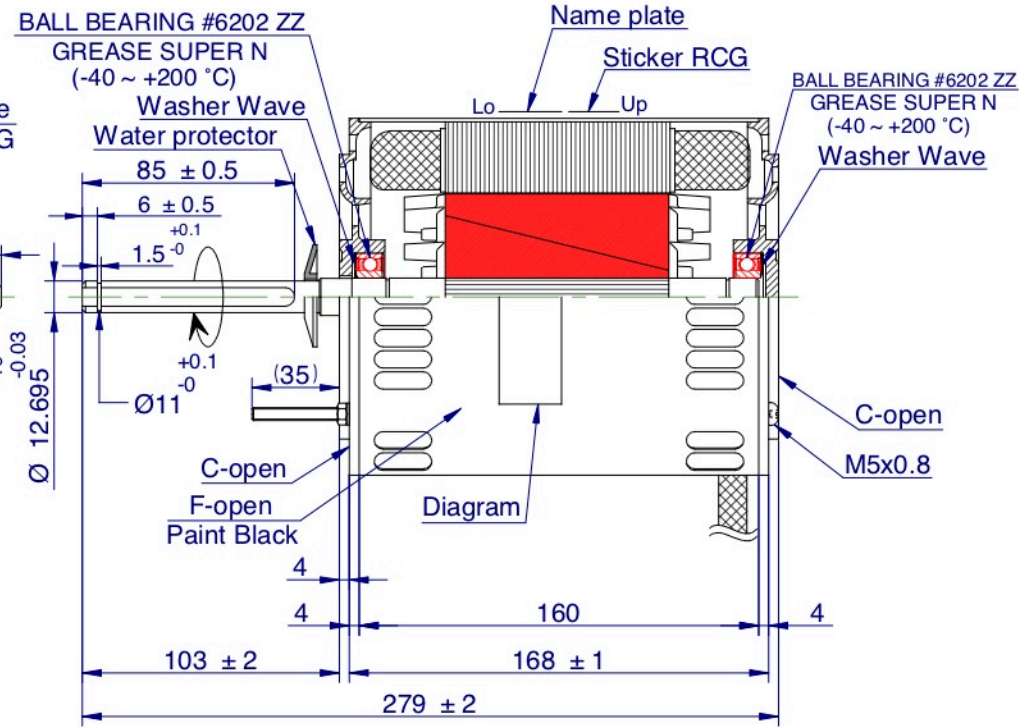
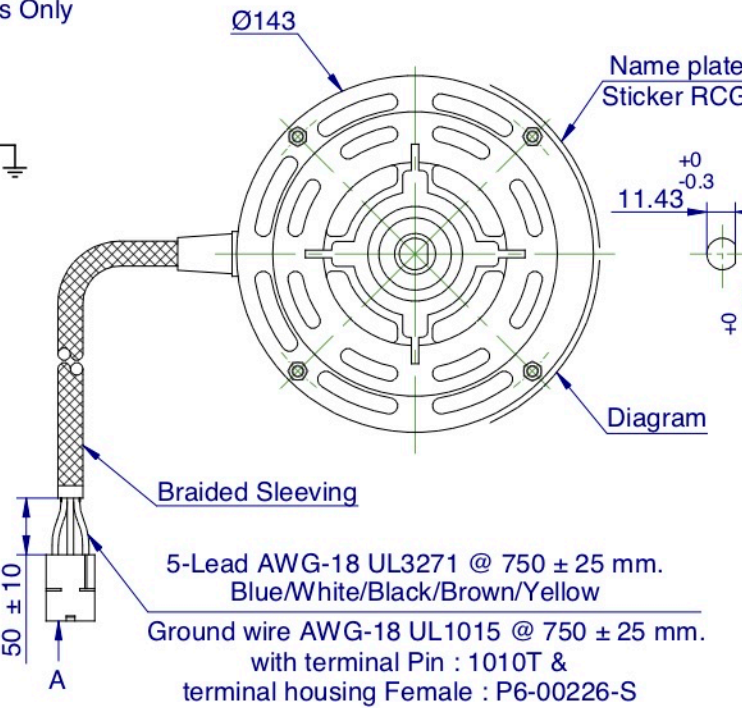
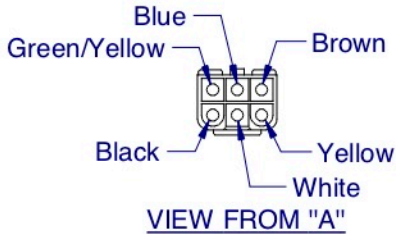


**TO CHANGE ROTATION :**

Interchange Blue And Brown Leads Only



CW (SE)



DATA TEST NO.	W443-2083-SL	
APPLICABLE MODEL	PM3150066	
SPECIFICATION	NO. OF PHASE	1 PHASE
	NO. OF POLE	4 P.
	RATED RPM.	50Hz 1300 60Hz ---
	VOLTAGE	240 V.
	CURRENT	7.19 A.
WINDING RESISTANCE (REF. 20")	OUTPUT	1000 W.
	M COIL	3.92 Ω
	S COIL	6.33 Ω
	SP1 COIL	--- Ω
THERMAL PROTECTOR	SP2 COIL	--- Ω
		17AM - 150°C Refer P/N.R330-0035
INSULATION CLASS	F	
METHOD OF COOLING	A.O.M.	
DEGREE OF PROTECTION	IP20	
WEIGHT	11.04 KGS.	



STICKER RCG

<b>RCT85-1004S-ODP-B02CBT</b>			
1.00kW , 4P , 7.19Amp	Cap. 30 mfd	Frame 48	
240V , 1Ph , 50Hz	Rating Cont	Mounting extended tie rods	
Rpm 1300	Ins. Class F	Serial No. DDMMYYXXXX	

NAMEPLATE

**WARNING**

MOTOR FITTED WITH INTERNAL AUTO RESET OVERLOAD AND MAY RESTART WITHOUT WARNING

TO CHANGE ROTATION : Interchange Blue And Brown Leads Only

DIAGRAM

THIS DRAWING MAY BE USED IN WHOLE OR PART ,PROVIDED THE PIONEER MOTOR NAME & LOGO ARE VISIBLE IN ANY REPRODUCTION.

THIRD ANGLE PROJECTION	FINISH:	DESCRIPTION:	REFER TO :
	ASSEMBLY	MOTOR OUTLINE	ECN No.9573
	ROYCECROSS	Q'TY 1	APPLICATION OUTDOOR MOTOR
NON SCALES			

- Notes :
1. After the motor is complete, applied rust proof oil at shaft end.
  2. The tensile strength of each lead wire at least 4 Kgs.
  3. The runout of the shaft end circumference 0.10 mm.
  4. Motor can use triac control
  5. One special lead supply