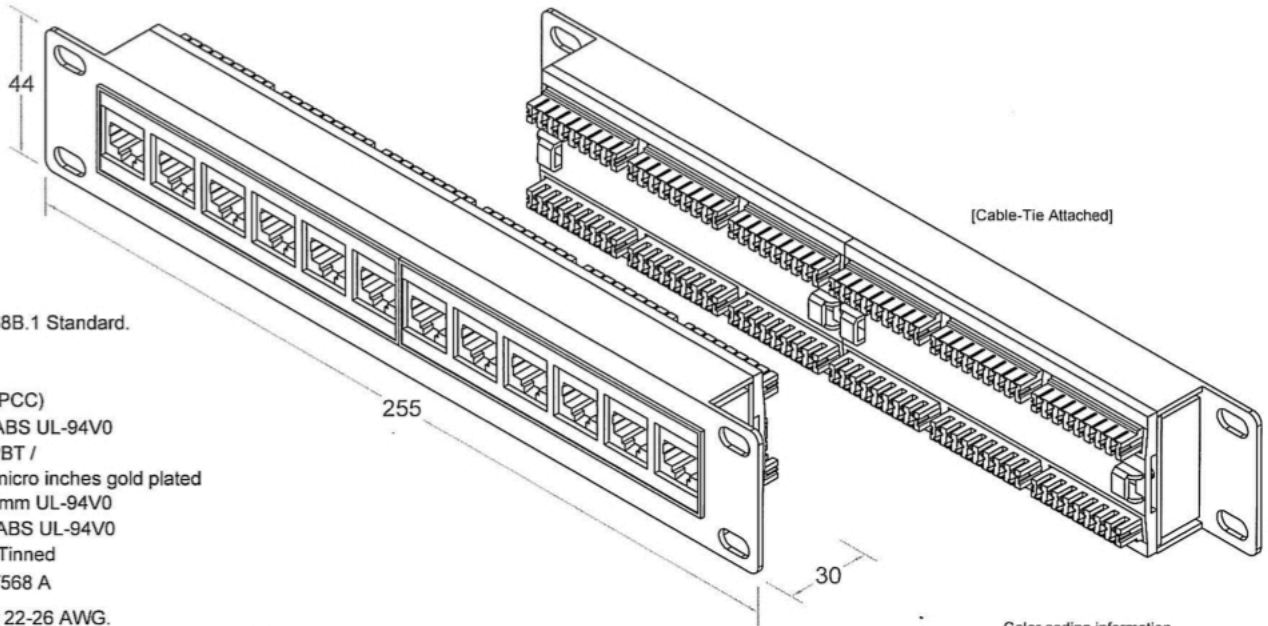


Cat.5e 12Port 10" Patch Panel (UTP) / Dual Type



Performance:

Meets Cat.5e EIA/TIA 568B.1 Standard.

Materials:

Panel : Metallic Panel (SPCC)

Plastic Body : Fireproof ABS UL-94V0

RJ-45 Jack : Housing-PBT /

8P8C 50 micro inches gold plated

PCB : FR-4 / 1.6mm UL-94V0

IDC Body : Fireproof ABS UL-94V0

IDC Pin : Bronze & Tinned

Label Color Code : T568 A

IDC Description : For 22-26 AWG.

For 110 or Krone punch-down Tool

Electrical Specifications:

Insulation Resistance : 500M ohms (min.)

Contact Resistance : 20m ohms (max.)

Current Rating : 1.5 Amps .

DC Resistance : 0.1 ohm (max.)

Withstanding Voltage : 1000 VAC RMS @ 60Hz / 1 min.

Mechanical Specifications:

IDC Punch Down Cycle : Over 250 Cycles (min.)

RJ-45 Jack Insertion Cycle : Over 2000 Cycles (min.)

Operation Temperature : -40 ~ +70 degree / C

Marking:

Printed Letter:

Cat.5e



AMDEX

N3674

[Cable-Tie Attached]

Color coding information

T568A:

1---WH/GN

2----GN

3---WH/OR

4----BL

5---WH/BL

6----OR

7---WH/BR

8----BR

DRAW NO:		ITEM NO:	DA10-12P-C5E
	APPR	G.O.	CUSTOMER:
UNIT: m/m	CHECK		DATE:
SCALE:	DESIGN	TOLERANCE:	· ± 1 · X ± 0.2 · XX ± 0.15

ROYCECROSSGROUP