

ROYCECROSSGROUP

C A T A L O G U E

RANGE PERFORMANCE SERVICE

ajf ELECTRICAL
DISTRIBUTORS

**ROYCE
CROSS**
ELECTRICMOTORGROUP

C&A
CHAINS&ACCESSORIES

roycecross.com.au

ABOUT US

A family-owned business based at Dudley Park, South Australia, the Royce Cross Group comprises three companies: Royce Cross Electric Motor Group; Chains and Accessories; and AJF Electrical Distributors.

Each of the companies strives to offer an extensive range, high-performance and quality products as well as exceptional service.

ROYCE CROSS ELECTRIC MOTOR GROUP

Founded by Royce Cross more than 40 years ago, the Royce Cross Electric Motor Group is a market leader in the efficient, quality service and supply of electric motors and accessories. During the past four decades, the company has delivered quality products that meet efficiency standards and quality regulations as well as excellent service and knowledgeable advice.

The company has been manufacturing its RCG range of electric motors for three decades. The broad range of products at Royce Cross offers a one-stop shop for all electric motor and accessory needs.

CHAINS AND ACCESSORIES

The century-year-old company, which has had many name changes, joined the Royce Cross Group in 2012. It began trading in 1914 as the Australian Elevator Company, evolving to become known as Chains and Accessories, Complete Drive Solutions then C&A.

Chains and Accessories is recognised as an industry leader for its service and commitment to engineering-drive solutions, specialising in such mechanical power transmission components as chain, sprockets, racks, pinions, belts, gearboxes, variable-speed drives and pulleys, couplings and conveyor components.

AJF ELECTRICAL DISTRIBUTORS

AJF Electrical Distributors takes pride in being South Australia's electrical, data and communication experts. Established more than 35 years ago, AJF specialises in high-quality products with excellent service to assist industry.

The team at AJF Electrical Distributors is trained in all its product range to ensure customers obtain the best advice. Staff are able to advise on everything from hazardous area applications and lightning protection to use of large Busway systems and data racking projects.

INDEX

- 04 MOTOR BUYING GUIDE**
- 05 INDUCTION MOTORS**
Single-phase
- 06 GENERAL PURPOSE MOTORS**
Single-phase
- 07 COMPRESSOR DUTY MOTORS**
Single-phase
- 08 BRICKSAW MOTORS**
Single-phase and fan duty
- 09 EVAPORATIVE MOTORS**
Single-phase
- 10 AIR MOVEMENT MOTORS**
Single-phase and blower
- 12 EVAPORATIVE FAN MOTORS**
Band and lug-mount
- 14 ACCESSORIES**
Flanges, brackets, feet, terminal boxes
- 15 CAST-IRON MOTORS**
Three-phase & ND series
- 17 ALLOY & ROLLED STEEL MOTORS**
Three-phase
- 18 ALLOY BRAKE MOTORS**
Three-phase
- 19 AIR MOVEMENT MOTORS**
Three-phase
- ACCESSORIES**
Flanges
- 20 BALDOR**
AC & DC
- 22 GEAR MOTORS**
Reducers & variators
- 23 DRIVES AND STARTERS**
Variable-speed drives; starters & protection
- 24 ENCLOSURES**
Powder-coated metal & stainless-steel
- 25 ACCESSORIES, MODIFICATIONS**
Plugs, sockets, switches, isolators, belts, couplings, sprockets, fans and more
- 26 CHAINS AND SPROCKETS**
Identification chart
- 28 CHAIN OPTIONS & GRADES**
Guide to attachments and brands
- 29 SPROCKETS**
Selection guide
- 30 VARIABLE-SPEED DRIVES & MOTORS**
Range and dimensions
- 31 GEARED MOTORS**
Wom boxes and helical
- 32 GEARS & RACKS**
Tooth forms and options
- 33 BELTS & PULLEYS**
Belt length calculation and pulley types
- 34 CONVEYOR COMPONENTS**
Selection guide, components and options
- 35 ACCESSORIES**
Belts, couplings, clutches, brakes
- 36 AUTOMATION, CABLE-LAYING, LINKS**
ABB, NEtec and other products
- 37 DATA CABLING, DUCTING, EARTHING**
Warren&Brown and ERICO products
- 38 FIXINGS, FIBRE OPTIC, FUSE GEAR**
Caddy, Cooper Bussmann
- 39 HAZARDOUS, LIGHTNING, PRINTING**
Cooper Crouse-Hinds, ERICO, Brady
- 40 RAIL EARTHING, UPS, SURGE**
ERICO, Riello
- 41 BUSWAY SYSTEMS, 19" RACKING**
Vass, Hallam

MOTOR BUYING GUIDE

■ FORMULA

0.75kw = 1hp

1kw = 1000w

1 amp = 1000ma

COMMON SHAFT SIZES

FRAME	SHAFT
63	11mm
71	14mm
80	19mm
90	24mm
100	28mm
112	28mm
132	38mm
160	42mm
180	48mm
200	55mm
48	12.7mm
56	15.875mm
58	19.05mm



FACTORS TO CONSIDER:

- Kilowatt or horsepower
- Rated motor voltage, for example: 240-volt or 415-volt
- Frame and type number, for example: 100L frame or physical dimensions
- Motor speed, for example: 1440rpm
- Mounting, such as flange or base mount, with dimensions
- Operating needs, for example: use on a drill press or conveyor
- Current brand being used
- If uncertain, email photos of nameplate and overall motor to:

sales@roycecrossgroup.com

INDUCTION MOTORS

■ SINGLE-PHASE

General-purpose, single-phase electric motors are available as TEFC or open-drip-proof and can be used in applications which include compressors, machine tools, pumps, fans, conveyors, material handling and many others.

MY RANGE - PSC

kW	2800rpm	1400rpm
0.06	-	✓
0.09	✓	✓
0.12	✓	✓
0.18	✓	✓
0.25	✓	✓
0.37	✓	✓
0.55	✓	✓
0.75	✓	✓
1.1	✓	✓
1.5	✓	✓
2.2	✓	✓
3	✓	✓

FEATURES:

- IP55 enclosure
- Foot mount and foot/flange mount
- Multiple feet arrangements available
- Aluminium frame, end shields and base
- Metric frame



ML RANGE - CAP-START CAP-RUN

kW	2800rpm	1400rpm	900rpm
0.18	-	✓	-
0.25	✓	✓	-
0.37	✓	✓	✓
0.55	✓	✓	-
0.75	✓	✓	✓
1.1	✓	✓	-
2.2	✓	✓	-
3	✓	✓	-
4	✓	-	-

FEATURES:

- Cap-start, cap-run
- Foot mount and foot/flange mount
- Multiple mounting arrangements available
- Aluminium frame, end shields and base
- Metric frame



BARBECUE MOTORS

FEATURES:

- Terminal box option for 15 watts
- Insulation class B, IP20 continuous duty

Watts	rpm	torque
6	7.5	3Nm
15	6	5Nm



GENERAL PURPOSE

■ SINGLE-PHASE

B56 TEFC WITH 5/8" SHAFT

FEATURES:

- 0.37kW to 0.55kW cap-start only
- 0.75kW to 1.5kW cap-start, cap-run
- Special flanges available
- B56, NEMA and chicken feeder flanges available
- Options lead and plug and on/off switch
- Rolled steel



kW	2800rpm	1400rpm	1400rpm (65mm long shaft)	900rpm
0.37	✓	✓	-	
0.55	-	✓	✓	✓
0.75	✓	✓	-	
1.1	-	✓	-	
1.5	✓	-	-	

B100S TEFC WITH 24MM SHAFT

FEATURES:

- Foot mount
- Lead and plug optional
- Rolled steel body and cast-iron end shields
- Heavy duty design

kW	1400rpm
1.5	✓
2.2	✓



ODP WITH 5/8" SHAFT

FEATURES:

- B56 and NEMA flanges available
- Optional lead and plug
- Optional terminal box with on/off switch
- 0.25kW to 0.75kW cap-start, cap-run
- Rolled-steel body and alloy end shields



kW	1400rpm	900rpm	1400rpm (resilient mount)
0.25	✓	-	-
0.37	✓	-	-
0.55	✓	-	✓
0.75	✓	✓	-



COMPRESSOR DUTY MOTORS

■ SINGLE-PHASE

FEATURES:

- 2800rpm
- Cap-start, cap-run
- 3/4" shaft
- DPFC
- Options lead and plug

Watts	RCG	CG
1.65	✓	✓
2	-	✓
2.2	✓	✓

**ROYCE
CROSS**
ELECTRICMOTORGROUP



CG Crompton
Greaves
EVERYDAY SOLUTIONS



INCUBATOR MOTORS

■ SINGLE-PHASE

Designed specifically for the poultry industry, the motor includes a centrifugal switch.

FEATURES:

- Totally enclosed
- Extra leads for alarm
- Flange mounted
- Cap start
- B56 frame
- 1/2" shaft

kW	1400rpm
0.25	✓

CG Crompton
Greaves
EVERYDAY SOLUTIONS



CHICKEN FEEDER MOTORS

■ SINGLE-PHASE

Supplied with lead and plug, this motor is designed specifically for the poultry industry.

FEATURES:

- Includes oil burner flange
- 0.37kW to 0.55kW cap-start only
- 0.75kW to 1.1kW cap-start, cap-run
- Shaft option 1/2" or 5/8"
- Also available in three-phase
- TEFC

kW	1400rpm
0.37	✓
0.55	✓
0.72	✓
1.1	✓

CG Crompton
Greaves
EVERYDAY SOLUTIONS



BRICKSAW MOTORS

■ SINGLE-PHASE

Designed specifically for bricksaws, the Crompton motor includes an on/off switch.

FEATURES:

- 1.7kW 2-pole TEFC
- Capacitor start/capacitor run (CS/CR)
- 3/4" shaft
- Thermal overload protection
- Switch and lead fitted on either RHS or LHS looking at the shaft

Crompton Greaves	Switch RHS	Switch LHS
1.7	✓	✓

RCG 2800rpm kW	
1.1	✓
1.5	✓
2.2	✓



RCG motor includes two flanges and a threaded shaft-end with nut to keep the blade on the shaft.

CROMPTON FAN DUTY MOTORS

■ SINGLE-PHASE

This motor is designed specifically for the poultry industry. The metal terminal box is at the rear of the motor.

FEATURES:

- 6-pole
- Band mount
- B48 frame
- 1/2" shaft
- Totally enclosed

kW	900rpm
0.37	✓



EVAPORATIVE MOTORS

■ SINGLE-PHASE

Designed specifically for Australian conditions.

RESILIENT MOUNT

kW	3-speed	2-speed	dual winding speed	1-speed
0.37	✓	✓		✓
0.60	✓	✓	✓	✓
0.75	✓	✓	✓	✓
1.1				✓
1.5				✓

FEATURES:

- 4/6-pole dual winding with centrifugal switch
- Option lead and plug
- B56 frame
- 5/8" shaft motors with tapped windings are PSC
- Cap-run



VERTICAL AXIAL

RCG kW	variable
0.60	✓
0.75	✓

FEATURES:

- 4-pole
- Option lead and plug
- PSC
- 5/8" shaft



VERTICAL BAND-MOUNT MOTORSCROMPTON GREAVES

FEATURES:

- 4-pole
- Option lead and plug
- B48 frame
- 1/2" shaft

kW	variable	2-speed	3-speed
0.37	✓	✓	✓
0.60	✓	✓	✓
0.75	✓	✓	✓



AIR MOVEMENT MOTORS

■ SINGLE-PHASE

The RCT range in the RCG air movement and general purpose motors offers a diverse range that delivers multiple applications for refrigeration, reverse cycle, evaporative and ducted heating solutions.

RCT52 FRIDGEMASTER SERIES

FEATURES:

- Thermal fuse
- Distinctive snap and fit four-in-one design
- 5/16" shaft



watts	pole	cap supplied	reversible	shaft
13	4	✓	✓	single
20	4	✓	✓	single
40	4	✓	✓	double

RCT85 SINGLE-SHAFT CONDENSOR MOTOR

FEATURES:

- Permanent split capacitor design
- Low noise bearings
- Auto reset thermal overload
- 1/2" shaft

watts	pole	cap supplied	reversible	speed
180	4	✓	✓	single
150	6	✓	✓	multi
250	6	✓	✓	single
300	6	✓	* yes	single
370	6	✓	✓	multi
425	4	✓	* yes	multi



NOTE: Can be mechanically reversed by removing the rotor then re-assembling the opposite direction.

RCT85 SINGLE-SHAFT BLOWER MOTOR

FEATURES:

- Dynamically balanced rotors
- Permanent split-capacitor design
- ½" shaft



watts	pole	cap supplied	reversible	speed
290	4	no	* yes	multi
315	4	no	* yes	multi
350	4	no	* yes	multi
365	4	no	* yes	multi
425	4	no	* yes	multi
600	4	✓	* yes	multi
750	4	✓	* yes	multi

* **NOTE:** Can be mechanically reversed by removing the rotor then re-assembling in the opposite direction.

RCT85 DOUBLE-SHAFT BLOWER MOTOR

watts	pole	cap supplied	reversible	speed	ODP	TE
80	4	✓	✓	multi		✓
100	4	✓	✓	multi	✓	
130	4	✓	✓	multi	✓	
250	4	✓	✓	multi	✓	
290	4	no	✓	multi	✓	
315	4	no	✓	multi	✓	
350	4	no	✓	multi	✓	
365	4	no	✓	multi	✓	
425	4	no	✓	multi	✓	
600	4	✓	✓	multi	✓	
750	4	✓	✓	multi	✓	
40	6	✓	✓	multi		✓
200	6	✓	✓	multi	✓	

FEATURES:

- Dynamically balanced rotors
- Permanent split-capacitor design
- ½" shaft



RCT90 DOUBLE-SHAFT FAN MOTOR

FEATURES:

- Low noise bearings
- Auto-reset thermal overload
- ½" shaft

watts	pole	cap supplied	reversible	speed
900/1100	4	✓	✓	multi



EVAPORATIVE FAN MOTORS

■ BAND AND LUG MOUNT

BAND-MOUNT SHAFT-UP WITH EXTENDED-THROUGH BOLTS

FEATURES:

- Low noise and long-life bearings
- Designed to international standards
- Auto-reset thermal overload on single and three-phase motors
- Interchangeable with other brands
- Permanent split-capacitor design
- 4-pole
- Dynamically balanced rotors
- CE certified
- Design suitable for Triac control available on request

watts	pole	cap supplied	speed
600	4	no	variable
750	4	no	variable
1000	4	no	variable



BAND-MOUNT SHAFT-DOWN



FEATURES:

- Low-noise and long-life bearings
- Designed to international standards
- Auto-reset thermal overload on single and three-phase motors
- Interchangeable with other brands
- Permanent split-capacitor design
- 4-pole
- CE certified
- Design suitable for Triac control available on request

watts	pole	cap supplied	speed
425	4	yes	multi
600	4	yes	multi
750	4	yes	multi
950	4	yes	multi

EXTENDED NON-DRIVING SHAFT AND TACHO GROOVE IN REAR ENDSHIELD

watts	pole	capacitor	speed
310	4	yes	variable
315	4	yes	variable
500	4	yes	variable
600	4	yes	variable
650	4	yes	variable
750	4	yes	variable

- Low noise and long-life bearings
- Designed to international standards
- Interchangeable with other brands
- 4-pole, turbo
- CE certified
- Dynamically balanced rotors

LARGE LUG-MOUNTED FAN MOTORS

FEATURES:

- Low noise and long-life bearings
- Designed to international standards
- Auto reset thermal overload on single and three-phase motors, three-phase with 5/8" shaft, single-phase with 3/4" shaft
- Interchangeable with other brands
- Permanent split-capacitor design for single-phase
- 6-pole
- CE certified
- Design suitable for Triac control available on request



watts	pole	phase	speed
375	6	three	single
400	6	single	two

SPECIAL FAN MOTORS



FEATURES:

- Low noise and long-life bearings
- Designed to international standards
- Auto-reset thermal overload
- Interchangeable with other brands
- Permanent split-capacitor design
- 4-pole
- Dynamically balanced rotors
- CE certified
- Design suitable for Triac control
- Clockwise drive-end
- Resilient mount with plug

watts	pole	capacitor	speed
425	4	yes	single

ACCESSORIES

FLANGES FOR SINGLE-PHASE MOTORS



CG B56



CG Nema



CG oil burner



RCG alloy B5



RCG alloy B14A

ACCESSORIES FOR AIR-MOVEMENT RANGE



TE endshield
rainshield



multi-belly band &
universal bracket



three-stud
bracket



four-stud
bracket

ALSO AVAILABLE:

- RCT 76 and RCT 82 feet
- Resilient brackets and cradle mounts
- Terminal boxes
- Rain shields
- Open drip-proof endshields

CAST IRON

■ THREE-PHASE

H SERIES

FEATURES:

- 0.55kW to 550kW
- 2 to 8-pole
- Other speeds available on request
- Foot and foot/flange mounting available
- Multiple mounting arrangements available from factory
- Terminal box on top as standard
- IP55 protection, IP56, IP68 available on request
- Class F insulation with class B temperature rise
- Other insulation class available on request



MINING SPECIFICATION

FEATURES:

- 0.55kW to 550kW
- 2 to 8-pole
- Other speeds available on request
- Foot and foot/flange mounting available
- Multiple mounting arrangements available from factory
- Terminal box on top as standard
- IP66 protection
- Two-part epoxy paint
- Alloy or cast fan on request
- Class F insulation with class B temperature rise
- Other insulation class, including class H, available on request

**ROYCE
CROSS**
ELECTRICMOTORGROUP



ND SERIES - AVAILABLE ON REQUEST

FEATURES:

- 0.55kW to 550kW
- Foot and foot/flange mounting available
- Terminal on right-hand side from drive-end shaft
- 2 to 8-pole
- IP55 protection
- Class F insulation with class B temperature rise.
- Higher temperatures available on request
- 50Hz, three-phase AC supply



EXE SERIES - AVAILABLE ON REQUEST

FEATURES:

- 0.55kW to 550kW
- Foot and foot/flange mounting available
- Terminal box on the right-hand side looking at the drive-end shaft
- 2 to 8-pole
- IECEx certified
- Class F insulation with class B temperature rise
- H class available on request
- 50Hz, three-phase AC supply



ABB PROCESS PERFORMANCE

FEATURES:

- 0.25kW to 1000kW
- Frame size 71 to 450
- Cast-iron frames
- Wide voltage range
- Long service intervals
- Large number of built-in features
- Suitable for DOL and VSD applications
- Three-year warranty
- Eff1 - high-efficiency class



ALLOY AND ROLLED STEEL

THREE-PHASE

RCG ALLOY THREE-PHASE

FEATURES:

- 0.06kW to 15kW
- 2 to 8-pole
- S1 duty, class F insulation with class B temperature rise, S3 available on some sizes
- IP55 protection
- Multiple feet locations
- Multiple mounting arrangements available

**ROYCE
CROSS**
ELECTRICMOTORGROUP



THREE-PHASE GENERAL PURPOSE - B56 TEFC 5/8" SHAFT

FEATURES:

- Imperial B56 frame
- Class F, IP55
- Various flanges available
- TEFC
- 1.1 is S3 duty

kW	2800rpm	1400rpm	900rpm
0.37	✓		
0.55		✓	✓
0.72	✓	✓	
1.1		✓	



ABB ALLOY INDUSTRIAL PERFORMANCE MOTORS

FEATURES:

- 0.09kW to 90kW
- 56 to 250 frame sizes
- High output versions for reduced size and weight
- Wide voltage range
- Suitable for DOL and VSD applications
- Two-year warranty
- MEPS 2006 compliant



THREE - PHASE

ALLOY AND ROLLED STEEL

ALLOY AND ROLLED STEEL

■ THREE-PHASE

GD SERIES

FEATURES:

- 0.06kW to 15kW
- 2 to 8-pole
- S1 duty, IP55 protection
- Class F insulation with class B temperature rise
- Foot and foot/flange
- B14B mount, B14A, B14B, B5 and NEMA* flanges available

NOTE: Not all sizes available on all speeds



ALLOY BRAKE MOTORS

■ THREE-PHASE

CG ALLOY AC BRAKE MOTOR WITH DC OR AC BRAKE

FEATURES:

- 0.25kW to 7.5kW
- 2 to 8-pole
- 80 to 132M frame
- IP55 protection
- Foot and foot/flange
- Multiple feet locations
- Multiple mounting arrangements available
- Class F with class B temperature rise
- 230-volt/415-volt Delta/Star up to 100 frame
- 415-volt/720-volt Delta/Star 112M and 132M frame



NOTE: Not all sizes available on all speeds; some some variance with 6 and 8-pole.

RCG SERIES ALLOY AC MOTOR WITH DC BRAKE

FEATURES:

- 0.12kW to 7.5kW
- 2 to 6-pole
- 63 to 132M frame
- Foot and foot/flange
- Multiple feet locations
- Multiple mounting arrangements available
- Class F with class B temperature rise
- 230-volt/415-volt Delta/Star up to 100L frame
- 415-volt/720-volt Delta/Star 112M and 132M frame



NOTE: Not all sizes available on all speeds DC brake supplied with 240-volt AC up to 100L frame, rectified to 110-volt DC; 415-volt AC from 112M to 132M rectified to 190-volt DC frame; some variance with 6 and 8-pole.

AIR MOVEMENT MOTORS

THREE-PHASE

RCT85 SINGLE-SHAFT CONDENSOR MOTOR

FEATURES:

- Low noise bearings
- Auto-reset thermal overload
- Interchangeable with other brands
- Totally enclosed



**ROYCE
CROSS**
ELECTRIC MOTOR GROUP

watts	pole	reversible	speed
180	4	Yes	single
250	6	Yes	single
370	6	Yes	single

ACCESSORIES

FLANGES FOR THREE-PHASE MOTORS



RCG alloy B14A



RCG Alloy B5



RCG cast B5



RCG cast B14A



CG Nema



CG B56



GD B14A



GD B14B



CG oil burner



GD B5

BALDOR

■ AC AND DC



AC PREMIUM EFFICIENT MOTORS

FEATURES:

- NEMA premium
- Single and three-phase
- ¼hp to 500hp
- Enclosures: TEFC, TENV, ODP
- Foot and face mount
- NEMA and IEC low and medium voltage
- Brake motors



AC TOTALLY ENCLOSED FAN-COOLED MOTORS

FEATURES:

- Three phase
- ½hp to 800hp
- Enclosures: TEFC
- Foot and face mount
- Inverter ready
- Low and medium voltage, including 200-volt to 575-volt



AC ALL STAINLESS WASHDOWN DUTY MOTORS

FEATURES:

- Three phase
- ½hp to 20hp in stock
- Enclosures: TEFC and TENV
- Labrynth seals
- Standard and super-E efficiency
- IEC ratings available



AC ADJUSTABLE SPEED DRIVES

FEATURES:

- Inverter, encoderless vector, vector drive and AC servo available
- 230-volt, ¾hp to 60hp
- 460-volt, ¾hp to 1000hp
- 575-volt, ¾hp to 150hp
- Graphical operator display
- PID process control loop
- Ethernet connection option



DC PERMANENT MAGNET

FEATURES:

- SCR-rated 12, 24, 36, 48, 90 or 180-volt
- 1/50 to 5hp in stock
- Enclosures: TENV and TEFC
- C-face with base
- Tacho adaptable
- Explosion-proof ¼hp to 1.5hp on request
- Integral tacho in stock ¼hp to 5hp



DC WOUND FIELD

FEATURES:

- SCR-rated 90, 180, 240 or 500-volt
- Up to 2.2kW 3hp stock, 200hp custom build
- Enclosures: TENV, TEFC and DP
- C-face with base to 10hp in stock
- Tacho adaptable



AC SERVO MOTORS

FEATURES:

- Peak torques over 1500lb-in (170Nm)
- Standard or low inertia
- Potted stator - superior protection for high voltage and current spikes
- Premium 200C moisture resistant multi-coated wire
- Stainless-steel IP67 enclosures available



MOTION CONTROLS

FEATURES:

- Single and multi-axis controls
- Digital and analog I/O
- Available in PCI format or stand-alone units with USB and serial interfaces
- Program via Baldor's MintMT® (multi-tasking), embedded C or Active X®
- Technologies, Device Net, ProfibusDP, CANopen, ethernet



GEAR MOTORS

■ REDUCERS AND VARIATORS

Royce Cross Electric Motor Group is a leading supplier of drive and automation technology, with an extensive range of the world's best products and solutions all supported by our exceptional customer service.

We offer a complete range of gear motor products as well as boasting formed alliances and partnerships with industry leaders for specific products.

Our base knowledge of application reference leads the industry. Royce Cross offers the ability to get customers up and running within hours.

Our extensive supply lines include such leading brands as Transtecno, Motovario, Hydromec, Siti, STM, SEW, Bonfiglioli, Pujol, Nord, Rossi and RCG as well as many other brands.

Products include:

- Helical in-line gearboxes
- Right-angle worm gearboxes
- Bevel gearboxes
- Bevel helical gearboxes
- DC motor gearboxes in 12-volt and 24-volt
- Helical shaft-mount gearboxes
- Right-angle T-box
- Mechanical variators
- Agricultural gearboxes

Royce Cross supports the products we sell with factory-backed warranties and guarantees, spare parts, in-house and on-site after-sales assistance and 24-hour breakdown assistance.

Service and repairs to gear motors also are offered by Royce Cross Electric Motor Group.



DRIVES AND STARTERS

■ VARIABLE-SPEED DRIVES

ABB, Toshiba, Teco, Delta and Baldor variable-speed drives offer superior performance. All models stocked by Royce Cross Electric Motor Group boast high torque, compact sizing, built-in EMI filters and easy set-up.

RANGE:

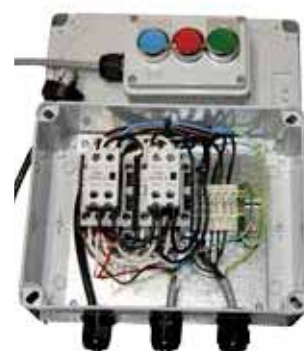
- 0.37kW to 2.2kW
240-volt input
- 0.37kW to 500kW
415-volt input
- 480-volt SWER line
models available



■ ELECTRICAL MOTOR STARTERS AND PROTECTION

RANGE:

- Direct on-line starters
- Soft starters
- Star/Delta starters
- Forward/reversing starters
- Auto transformer starters
- Contactors and overloads
- Circuit breakers
- Forward/reversing switches
- Electronic motor protectors



ENCLOSURES

POWDER-COATED METAL

Made from continuous lengths of sheet steel, which is double folded at the front, the enclosures boast a metal body thickness of 1.2mm.

Each back panel is welded to the frame while the enclosures are dust and waterproof to IP66.

Externally and internally protected with polyester epoxy resin, the enclosures have welded studs on the back panels for direct fixing to mounting plates or other accessories.

Each unit has easily removable hinges, allowing a left or right-hand door opening of more than 120 degrees.

Other features include foamed-in polyurethane gaskets and front rain gutters, mounting and gland plates and lock system. Testing reports available on request.

Accessories include:

- Louvre plates
- Insulated cable gland plates
- Canopies
- Cubicle suite joining sets
- Reinforced joining parts
- Wall-fixing brackets
- Eye bolts



height	width	depth
200mm	200mm	150mm
250mm	200mm	150mm
300mm	200mm	200mm
300mm	300mm	200mm
300mm	300mm	250mm
400mm	300mm	200mm
400mm	300mm	250mm
400mm	400mm	250mm
500mm	400mm	250mm
500mm	400mm	300mm
600mm	400mm	300mm
600mm	600mm	300mm
700mm	500mm	300mm

STAINLESS STEEL

Boasting monoblock watertight AISI304 stainless steel and Scotch brite (AST)-type mechanical polish, the enclosures include mounting and gland plates, stainless-steel nuts, screws, hinge pins and lock levers. They are suitable for corrosive and hygienic environments as well as being dust and waterproof resistant to IP66.



width	height	depth
300mm	300mm	200mm
400mm	400mm	250mm
600mm	400mm	250mm
700mm	500mm	300mm

ELECTRICAL ACCESSORIES

The extensive range of electrical accessories carried by Royce Cross Electric Motor Group includes:

- Three-phase straight or angled plugs
- Combo switch and sockets
- Isolators
- Extension sockets
- Wall-mount sockets
- Wall-mount switches
- Forward/reverse switches



MOTOR ACCESSORIES

Royce Cross Electric Motor Group also has a range of:

- Belts
- Couplings
- Sprockets
- Slide rails
- Taper lock cast-iron pulleys
- Fans
- Anti-vibration mounts



REPAIRS AND MODIFICATIONS

The expert team at Royce Cross Electric Motor Group can provide modifications to most electric motors and gearboxes. The service includes:

- Removal of old fans for modern replacements
- Pulley and sprocket fitting to motor shafts
- Specialised shaft manufacturing to suit original motors
- Re-wiring and rewinding
- Upgrades to motor performance and winding temperature ratings
- Increasing IP ratings from IP55 to IP66 to most motors
- Various robust paint options available

CHAIN & SPROCKET IDENTIFICATION CHART

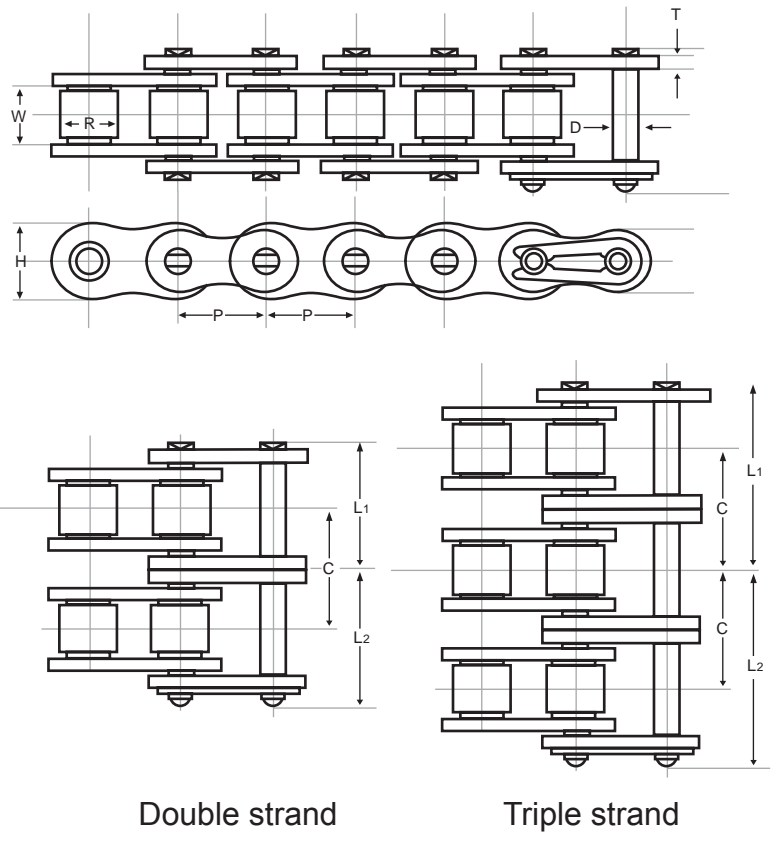
Sprocket number	chain suits	tooth width diameter	roller	pitch
6mm	04B	2.6mm	2.8mm	6mm
8mm	05B	2.7mm	5.0mm	8mm
25	ASA25	2.9mm	3.3mm	6.35mm
35	ASA35	4.4mm	5.08mm	9.525mm
3SR	06B	5.3mm	6.35mm	9.525mm
40	40ASA	7.4mm	7.94mm	12.7mm
4SR	08B	7.2mm	8.51mm	12.7mm
37	$\frac{1}{2} \times \frac{1}{8}$	2.97mm	7.75mm	12.7mm
38	$\frac{1}{2} \times \frac{3}{16}$	4.5mm	7.75mm	12.7mm
415H	$\frac{1}{2} \times \frac{3}{16}$	4.47mm	7.75mm	12.7mm
41	$\frac{1}{2} \times \frac{1}{4}$	6.04mm	7.75mm	12.7mm
5SR	10B/50	9.1mm	10.16mm	15.875mm
12B	12B	11.1mm	12.07mm	19.05mm
60	60	12.0mm	11.91mm	19.05mm
80	80	15.0mm	15.88mm	25.4mm
16B	16B	16.2mm	15.88mm	25.4mm
100	100	18.0mm	19.05mm	31.75mm
120	120	24.1mm	22.22mm	38.1mm
24B	24B	24.1mm	25.40mm	38.1mm
140	140	24.1mm	25.40mm	44.45mm
160	160	30.1mm	28.58mm	50.8mm
200	200	35.5mm	39.67mm	63.5mm

Chains & Accessories provides a custom-made service for customers, manufacturing single or multiple runs to precise tolerances and exact dimensions.

CHAINS

Several grades of chain and a large range of anti-corrosive lube-free, special attachment and conveyor chains are among the range. C&A also stocks the top-quality Tsubaki chain, including industrial-grade, agricultural-grade (Agrituff) and the HT series. The chain is available in stainless steel, anti-corrosive and lube-free varieties. Featured chains include Agrituff, industrial, HT series, NEP and Lambda.

Chains are available in sizes ranging from ASA 25 or 05B to ASA200 or 32B in single, double or multiple strands.



Double strand

Triple strand

CHAIN ID	
H: Chain height	mm
P: Chain pitch	mm
R: Roller diameter	mm
W: Inner chain width	mm
T: Inner plate thickness	mm

SPECIAL ATTACHMENTS



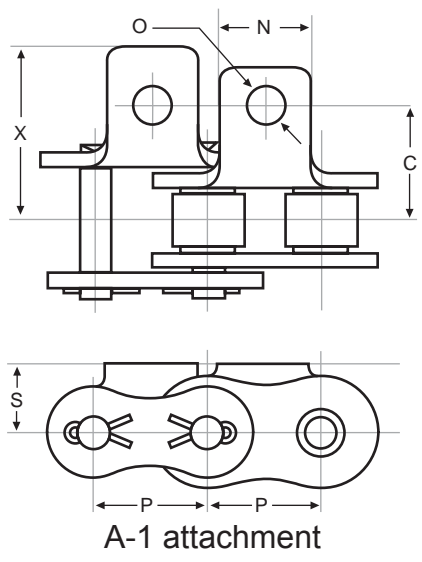
A-1 attachment

K-1 attachment

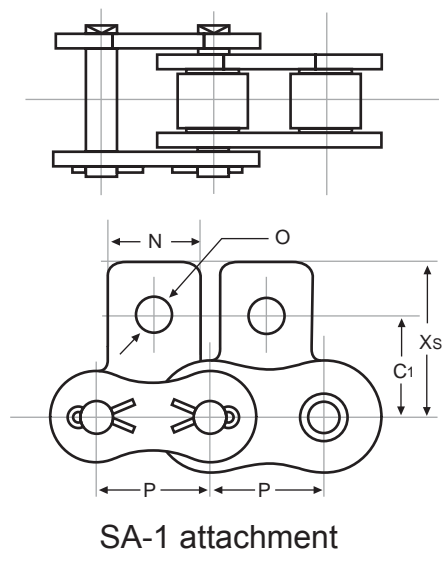
SA-1 attachment

SK-1 attachment

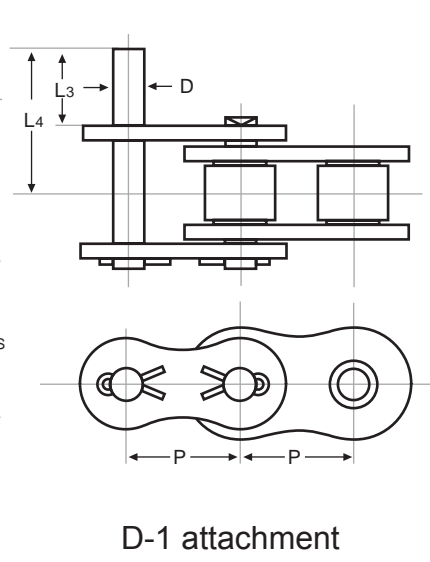
D attachment



A-1 attachment



SA-1 attachment



D-1 attachment

CHAIN GRADES



■ AGRITUFF

- Developed specifically for the agricultural industry
- Boasts solid rollers for longer-wear life in harsh operating conditions
- Extra heat treatment of pins results in longer chain life
- Features quad riveted pins for side plate security

■ INDUSTRIAL

- The Premium G7 Series has solid bushes with lube grooves for increased life
- The chain's metal has been shot peened to reduce stress in parts
- The ring-coin process reduces the chance of cracking of side plates and increases chain strength

■ HT & SUPER SERIES

- Boasts the same features as the industrial chain range
- The chain's heavier side plates provide increased strength
- Tensile strength up to 40 per cent more than standard chains

■ NEP

- Corrosion-resistant chain for outdoor and wet environments
- Steel construction for long life
- All parts individually impregnated
- Ideal for use where stainless-steel chain is not robust enough

■ LAMBDA

- Lube-free for life, making it cleaner and easier to maintain
- Lasts up to seven times longer than traditional chains
- All impregnated sintend bushes and special coated pin for long trouble-free life

■ CONVEYOR CHAINS

- Including double-pitch chains, hollow-pin types, standard and large rollers
- Bush chain
- BS and metric conveyor chains

SPROCKETS

1/4" pitch ASA 25 to 2 1/2" pitch ASA 200

Components also can be customised to suit any application



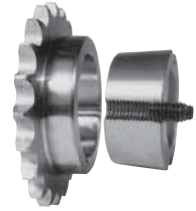
Plate wheel or A-type sprocket



Pinion or B-type sprocket



Idler sprocket (plate-wheel type)



Taper lock pinion with bush



Duplex pinion or B-type duplex sprocket



Triplex pinion or B-type triplex sprocket



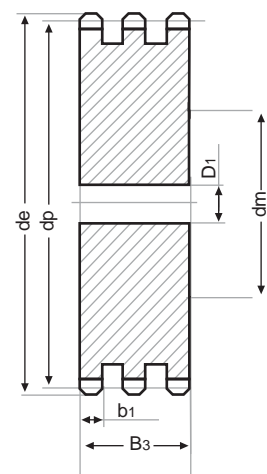
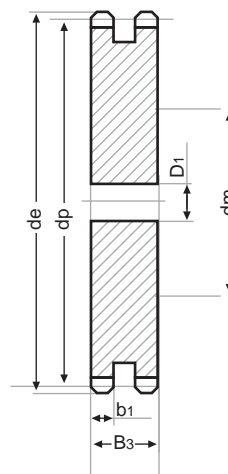
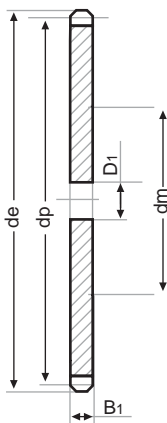
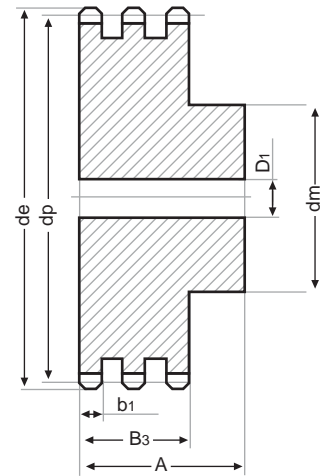
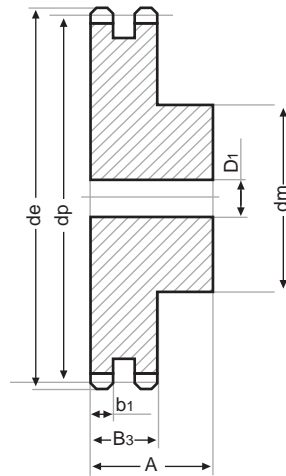
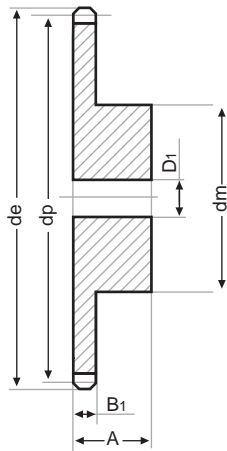
Dual sprocket (suits two pieces of simplex chain)



Cast-iron wheel

SPROCKET GUIDE

- Rows of teeth
- Numbers of teeth
- Chain suitability
- Identification numbers
- Bore diameter
- Grub screw
- Key size
- Agricultural sprockets

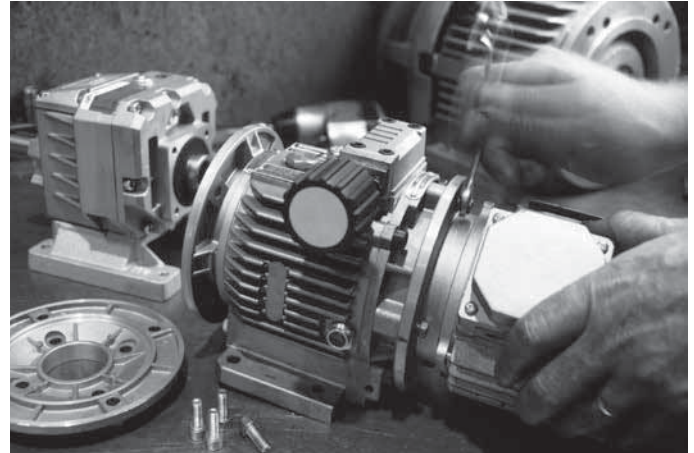


VARIABLE-SPEED DRIVES

Low and high-torque applications are covered in Chains & Accesories' range of variable-speed drives.

RANGE:

- AC inverters
- Mechanical disc drives
- Varspe Hydrostatic drives (for high torque, explosion proof and wash-down applications)
- R Series and Heavy Duty series



MOTORS

MEPS-compliant electric motors are stocked by C&A.

RANGE:

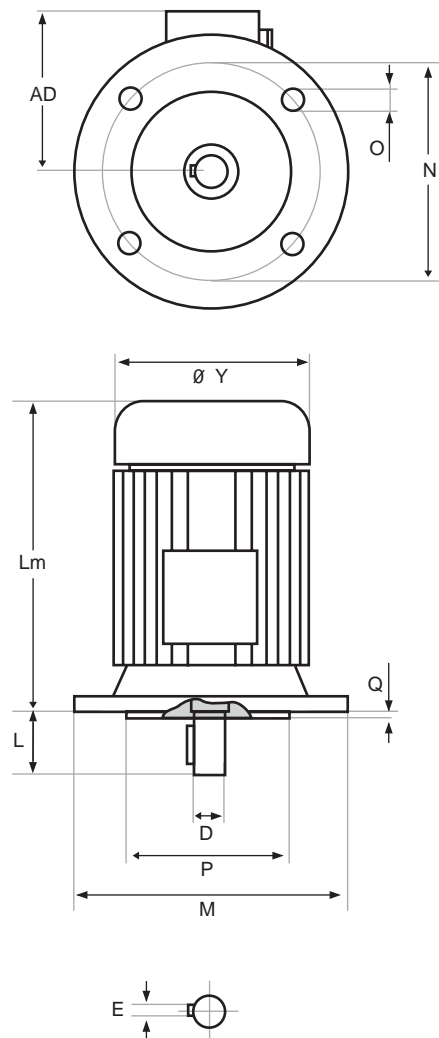
- Aluminium frames
- B5 and B14
- Flange mount/foot mount
- IP55 rated
- 415-volt and 240-volt
- AC and DC

EASY ID

- Revolutions per minute
- Kilowatt/horse power
- Voltage
- Three-phase or one-phase
- Motor mounting

DIMENSIONS

(Existing motor)	D	<input type="text"/>	mm
	P	<input type="text"/>	mm
	M	<input type="text"/>	mm
	N	<input type="text"/>	mm



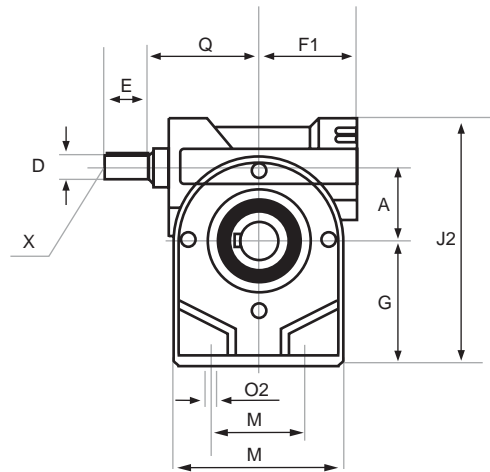
COUPLINGS

Large range of jaw couplings (HRC), chain couplings, cone-ring couplings and gear couplings available.

GEARED MOTORS

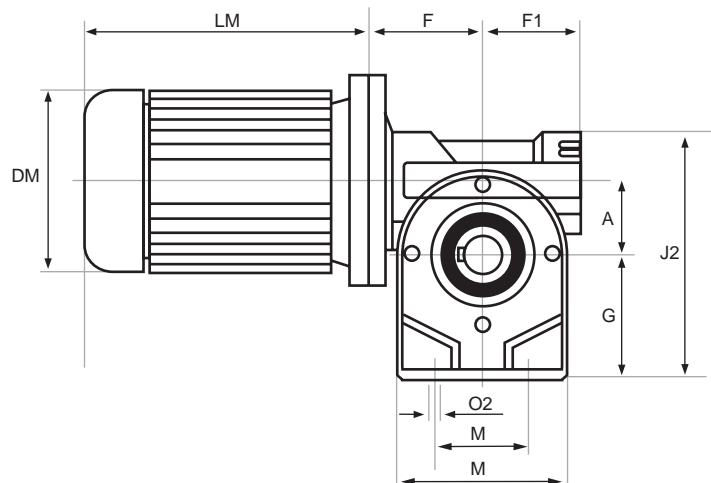
FREE-STANDING WORM BOX

- 0.25kW to 20kW
- Precision bearings
- Ground-finished gears
- Modular design
- Torque arms, feet or flange mounting easily fitted



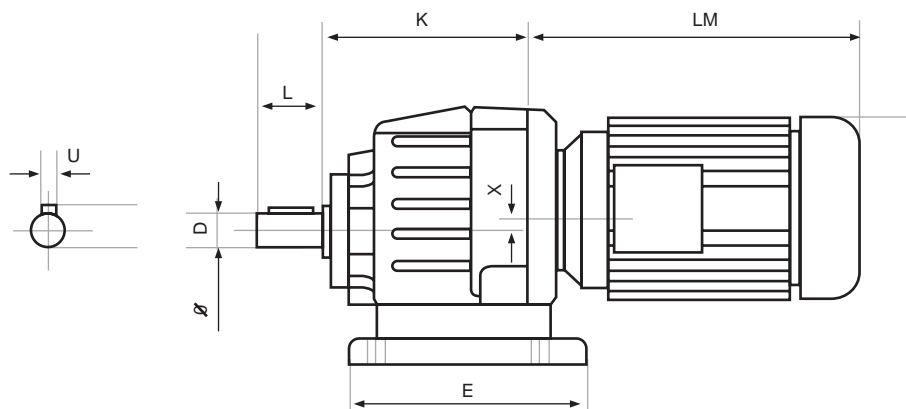
CLOSE-COUPLED WORM BOX

- 0.25kW to 20kW
- Precision bearings
- Ground-finished gears
- Modular design
- Torque arms, feet or flange mounting easily fitted



HELICAL GEARED MOTOR

- 0.25kW to 20kW
- Precision bearings
- Ground-finished gears
- Modular design
- Torque arms, feet or flange mounting easily fitted



GEARS & RACKS

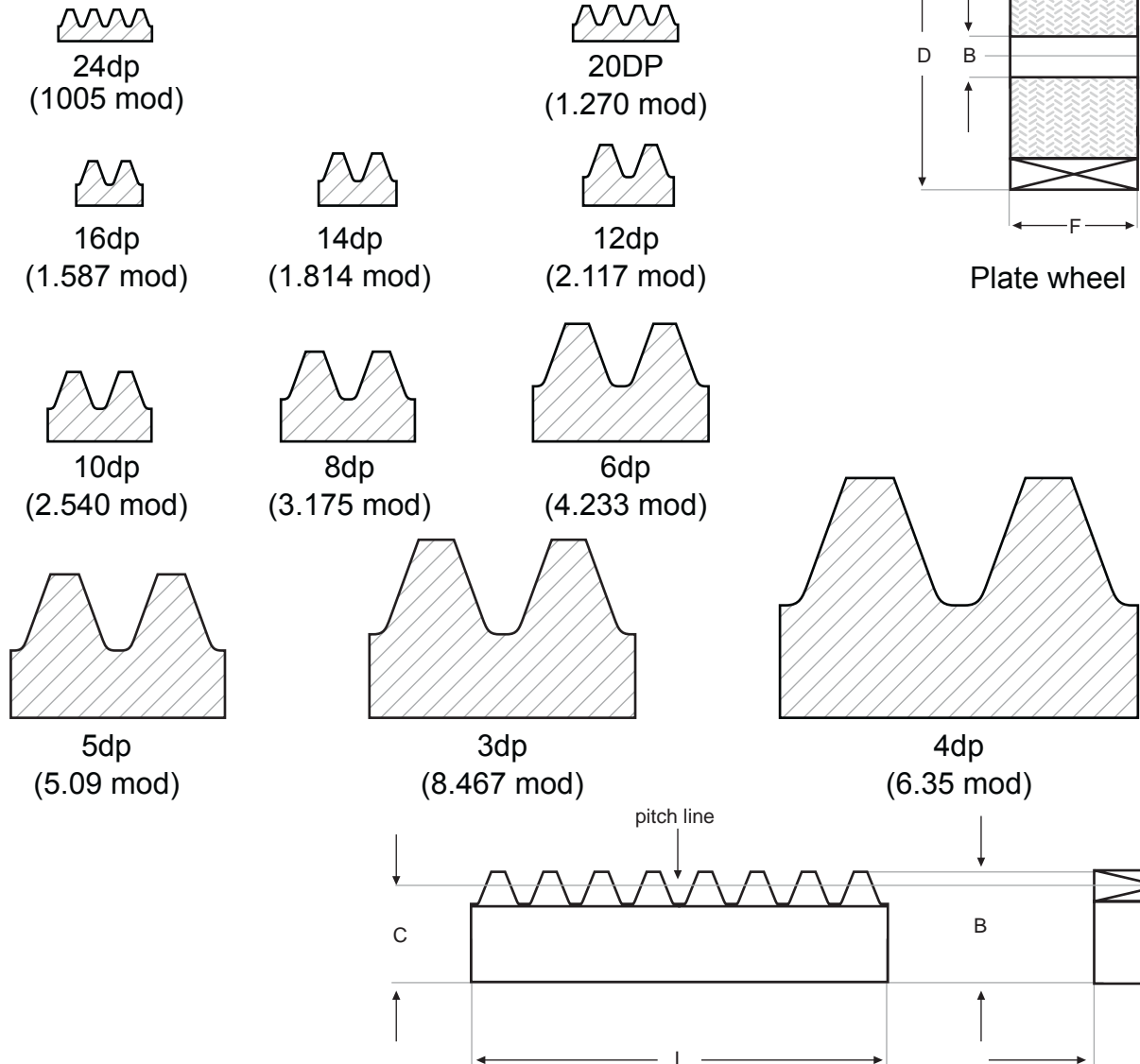
GEARS

- Made from cast-iron and K1045 steel
- Custom made to order
- 24dp to 3dp, module 1 to module 8
- Up to 1.6m diameter
- Stainless steel, plastic, bronze, geartex, aluminium and tool steel - special manufacture to order

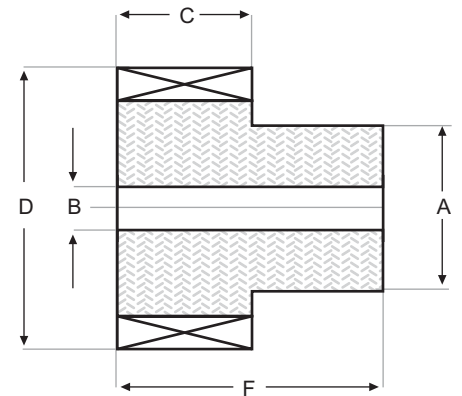
RACKS

The large range available ranges from 15mm square to 80mm square in diametrical pitch and module. They suits many applications.

RACK TOOTH FORMS



SPUR GEARS



Pinion

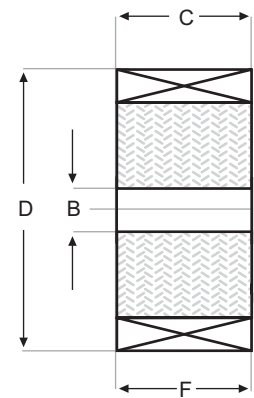


Plate wheel

BELTS AND PULLEYS

Chains & Accessories stocks a large range of cast-iron and aluminium pulleys. We also are agents for Mitsubishi V-belts, which are a high-quality Japanese type of belt that are match-free, providing assured belt lengths. There is a large range of V-belts in A, B and C section types.

BELT LENGTH CALCULATION

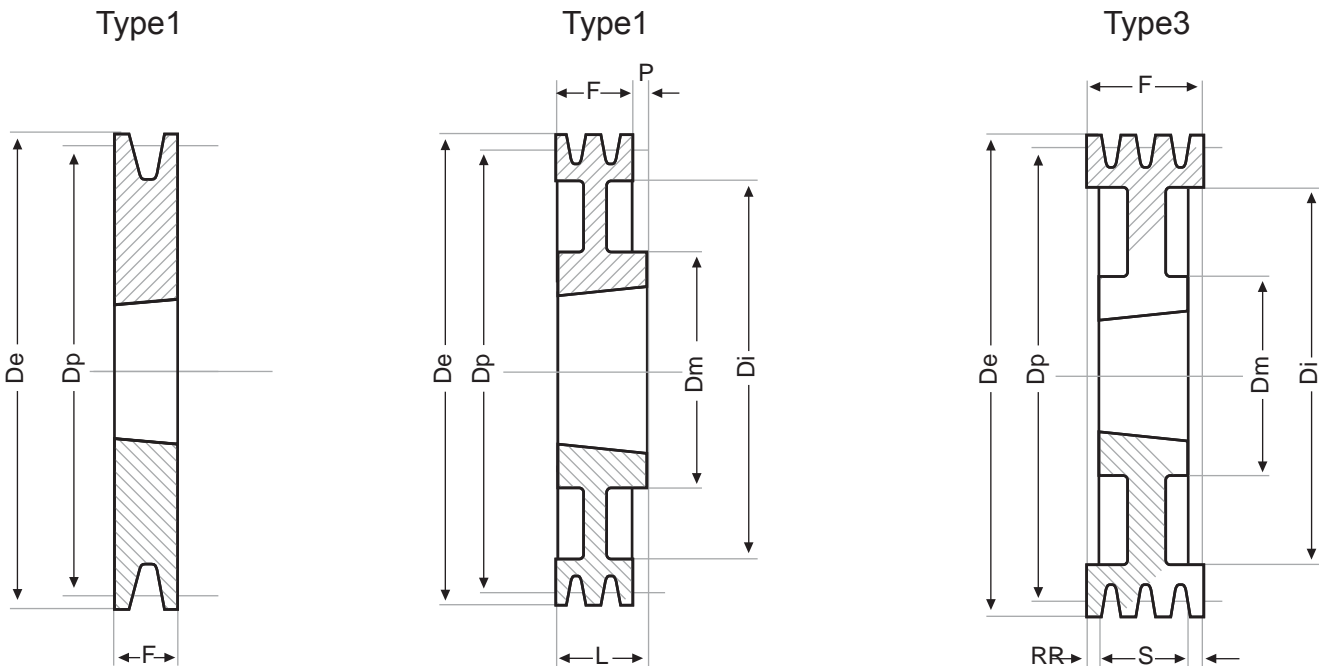
- L: belt length in mm
- C: centre distance in mm
- d: small pulley pitch circle diameter
- W: inner chain width
- Belt length: $L = 2C + 1.57 (D + d) + \frac{(D - d)^2}{4C}$

OTHER PRODUCTS

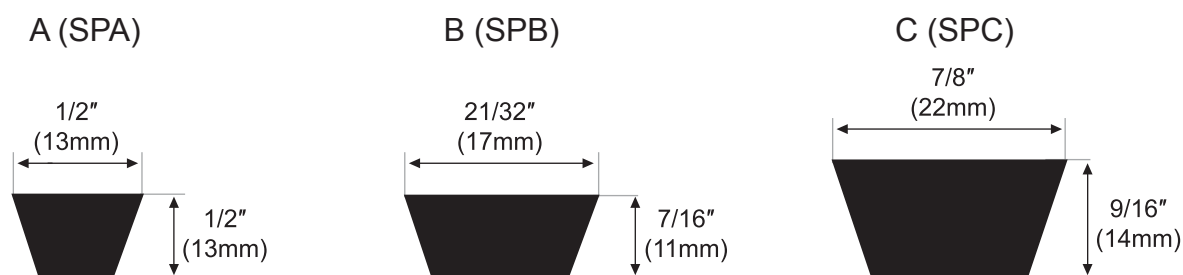
- Timing pulley and belts
- Variable-speed belts
- Key steel

Chains & Accessories stocks a large range of A, B, Spa, Spb pulleys in single, double and triple row. They are available in cast-iron and aluminium.

PULLEY-TYPE - FOR TAPER BUSH



MITSUBISHI V-BELT CROSS SECTION



CONVEYOR COMPONENTS

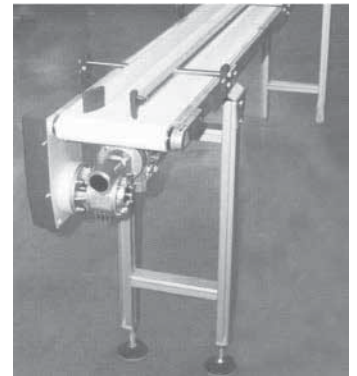
Chains & Accessories can supply conveyor systems to get products moving and speed the flow of goods.

■ TO CHOOSE A CONVEYOR SYSTEM, CONSIDER:

- What are you trying to transport?
- How much does it weight?
- Type of environment - wet or dry areas
- Height of conveyor
- Basic layout - straight or curved?
- Total length of the conveyor
- What is the spacing for the rollers (so weight is distributed evenly)?
- What is the inside frame width?
- What is the nominal bed width?
- What finish is required: galvanised, stainless or painted?

■ CONVEYOR COMPONENTS INCLUDE:

- Castor frames
- Mountings - bolt-hole or plate-mount
- Wheels - rubber or nylon
- Drive bands
- Drive pulleys
- Speed-up pulleys
- Positive-drive high-torque pulley clips
- Slave drive jump chain assemblies
- End guards and stops
- Guide rails



■ GRAVITY CONVEYORS:

- Basic frames - galvanised, painted or stainless-steel
- Rollers - black steel, galvanised, PVC or polyprop
- Skate wheels - plastic or steel
- Support stands - height adjustable in five sizes

■ ROLLER CONVEYORS:

- Used for food, packaging, beverage, warehouses and factories
- Can grow as company changes or diversifies
- Straight or curved sections, gates and junctions
- Ease of installation
- Bolted permanent connections or hook-on for easy re-location

■ MINI BELT CONVEYORS

- Ideal for small parts conveying and light applications
- Bolt-on feet and side rails available

Chains & Accessories are agents for Siegling conveyor belts and Elessa Ganter machine elements.

ACCESSORIES

The range of accessories stocked by Chains & Accessories includes:

BELTS

- HTD
- Banded
- Polyvee
- Timing belts

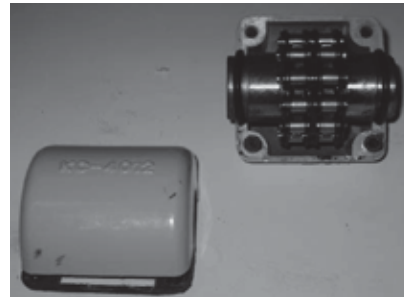
COUPLINGS

- Chain
- Disc
- Spider
- Cone ring
- Taper lock
- Torque limited
- Tyre
- Gear

ELESA+GANTER

Chains & Accessories introduced the Elessa+Ganter range of standard machine elements to its range in 2013. The extensive range includes:

- Operating elements
- Clamping knobs
- U-handles
- Hinges
- Indexing elements
- Rotary controls
- Fixed, revolving and fold-away handles
- Toggle, power and hook clamps
- Latches



CLUTCHES

- Centrifugal
- Air
- Electrical

BRAKES

- Electro-magnetic
- Mechanical
- Brake motors

ABB POWER AND AUTOMATION PRODUCTS

AJF Electrical Distributors proudly stocks and supplies the vast range of products from ABB, which is a leader in power and automation technologies.

The ABB range enables utility and industry customers to improve performance while lowering environmental impact.

From variable-speed drives, inverters and converters to low and high-voltage products, the ABB range has something to suit all applications.



The ABB product range includes:

- variable-speed drives
- soft starters
- relays
- terminals
- contactors
- overloads
- power factor correction units
- building automation
- power distribution breakers
- PLCs
- control products and systems

CABLE-LAYING PRODUCTS

The vast range of cable installation products available through AJF Electrical Distributors includes:

- | | |
|----------------------|--------------|
| ■ stockings | ■ lubricants |
| ■ rollers and guides | ■ rollers |
| ■ rodding systems | ■ jacks |
| ■ winches | ■ swivels |



COVERED AND BARE LINKS



A diverse range of Australian-made earth and neutral links is stocked by AJF Electrical Distributors. We are a distributor for NEtec, which specialises in numbered tunnels. The product range includes:

- | | |
|--------------------------------|--------------------------|
| ■ 100 to 500-amp covered links | ■ insulating feet |
| ■ neutral and earth bars | ■ screws and bolt clamps |
| | ■ accessories |

DATA CABLING

AJF Electrical Distributors takes pride in being one of the largest stockists of structured cabling products for voice, data and fibre optic cabling in South Australia.

The available products include:

- connectors
- patch leads and panels
- 19" enclosures - wall and rack mounted
- LAN cables for internal and external cabling
- network products - switches and fibre converters
- pre-terminated copper and fibre optic products
- termination tools and testing equipment



DUCTING RACEWAY



There are many mounting options for the ducting raceway manufactured by Warren and Brown Technologies. The WBT YellowDuct fibre optic ducting raceway can be mounted from walls, ladder racks, unistrut, raised floor support brackets and on floors. The product range includes:

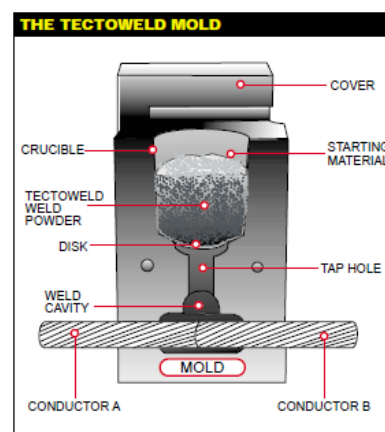
- cable entry and exits
- reducers
- tubing
- drop-off kits and drop components
- suspension and mounting kits

EARTHING/GROUNDING

Earthing and bonding are an integral part of any modern electrical system design to ensure the safe dissipation of harmful energy into a low impedance earth. LPI earthing products carried by AJF Electrical Distributors include:

- copper-bonded and stainless-steel earth rods: 12mm, 15mm, 18mm
- copper and stainless-steel flexible earth braids
- equipotential mat assemblies and bonding assemblies
- Exothermic welding materials & accessories

LPI®



ELECTRICAL FIXINGS, FASTENERS AND SUPPORTS



CADDY

Fixing equipment in the Caddy range stocked by AJF Electrical Distributors is vast and growing constantly, from basic purlin clips to the latest speed links. The Caddy range, which boasts the fastest installation time and competitive prices, includes:

- conduit, cable, beam and purlin clips
- stud wall grommets
- data supports
- ceiling and acoustic applications

FIBRE OPTIC

The fast-growing fibre optic sector has a wide range of applications, including data cabling, audio, video, industrial, automation and telecommunication. The advantages of fibre optic cabling include higher band width, noise immunity and longer cable runs. AJF Electrical Distributors offers customers superior product expertise and efficient service. The products available include:



- connectors and adaptors
- fibre enclosures - wall and rack mounted
- fibre optic patch leads
- fibre optic cables - internal and external
- fibre converters and switches
- pre-terminated and tested multi-fibre cables
- termination tools and testing equipment

FUSE GEAR



A wide range of circuit protection devices is always in stock at AJF Electrical Distributors. As a distributor for the Cooper Bussmann range, there is a product to suit all industrial and general applications. The range includes:

- two-amp to 800-amp BS88 fuses
- fuse holders
- cylinder fuses

HAZARDOUS AREA EQUIPMENT



COOPER Crouse-Hinds

Enhancing safety and productivity in industrial and commercial environments is overcome with the many and varied products produced by Cooper Crouse-Hinds and stocked by AJF Electrical Distributors. The applications include:

- conduit fittings
- cable glands
- industrial control
- electrical panelboards and switches
- plugs and receptacles
- visual and audible signalling devices

LIGHTNING PROTECTION

Protect your assets from the harmful effects of a direct lightning strike. Lightning can cause major problems to power, data and telecommunication equipment and people. AJF Electrical Distributors offers a range of lightning protection systems to meet specific requirements, including AS:1768 plus modern approaches (CVM and LIT). Full computer modelling of the lightning protection system is offered as a service to AJF customers.

The range includes:

- Conventional LP air terminals: copper, aluminium
- Active air terminals
- Co-axial and flat tape down conductors
- Installation accessories
- Lightning event counters plus remote monitoring options
- CAD modelling & design service



LPI®

PRINTING AND SAFETY



BRADY

On-the-go portable printers and label makers are utilised in many and varied situations, such as in warehouses, switch rooms, offices and laboratories. AJF Electrical Distributors stocks the vast range of quality Brady portable label printers, which identify and label items on demand. The range includes:

- cable, wire, sign and label printers
- signs and labels
- printer labels and ribbons
- pipe identification
- workplace safety and security
- first-aid kits, equipment and signs
- traffic and parking signs
- dangerous goods and spill control
- barricades, tapes and treads

RIELLO UPS SYSTEMS



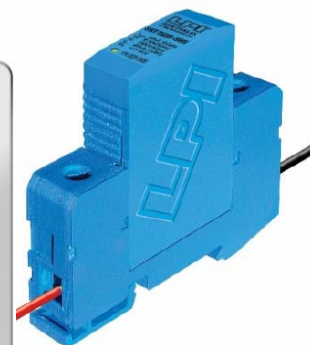
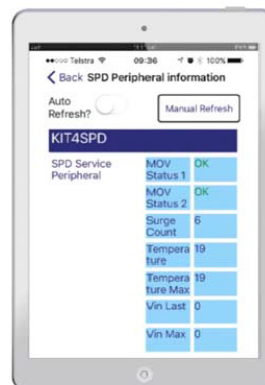
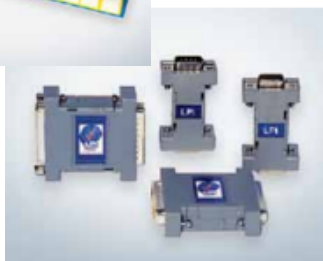
Efficiency, resilience and power quality are features of the Riello UPS range, which aims to provide continuous energy. The Riello products stocked by AJF Electrical Distributors include:

- 400VA to 800kVA UPS
- parallel systems and stand-alone units
- rack, tower and modular configurations
- monitoring and communication software
- customised solutions

SURGE AND SPIKE PROTECTION

Power surges and spikes cause millions of dollars in damage. It is a common cause of electronic equipment failure, performance disruption and unscheduled system downtime. Surge arresters and filters offer you the best protection against damaging electrical surges on power and communication lines caused by lightning, industrial machinery and other switching events. AJF Electrical Distributors offers the best range of surge filters and diverters coupled with unrivalled stock and service in Adelaide.

- AC and DC power surge and transient protection
- Incoming telecommunications and data surges and transient protection
- Compliance to AS:1768
- Blue Tooth technology
- Triggered spark gap surge filters



VASS

Vass Electrical Industries is Australia's only comprehensive manufacturer and largest supplier of electrical busway/busduct systems and products. The range encompasses type-tested 80-amp to 12,100-amp busway systems in feeder, bolt-on and plug-in configurations for AC and DC applications. The range of Vass products include:

S Series

- three-phase and neutral 80 to 700 amps
- single phase to 160 amps
- prefabricated
- plug-in power, take-off boxes

H Series

- power distribution system for high-rise buildings (hospitals, mines and heavy industries)
- superior 'Sandwich' type construction
- dangerous goods and spill control
- sizes ranging from 800 to 7000 amps



VASS

19" RACKING



AJF Electrical Distributors supplies a broad range of Australian-made and imported free-standing 19" racks for the cabling industry.

The range:

- Server racks
- Data centre racks
- B & C Class SCEC-endorsed racks
- Secured racks
- Outdoor IP-rated industrial racks
- RFI/EMI racks
- Audio racks
- Sound-proof racks
- Channel racks

GENERAL ACCESSORIES

AJF Electrical Distributors also stocks a vast range of general accessories to complement electrical, data and communication products. Among the range are:

CABLE TIES

- nylon cable ties - natural and ultra-violet protected
- stainless-steel ties



HEAT-SHRINK

- heat shrink reels
- heat shrink end caps, gloves and cable repair sleeves
- medium-wall, adhesive-lined heat shrink
- thick wall, adhesive-lined heat shrink
- tubing lengths



LUGS

- bell-mouth copper lugs
- copper crimp sleeves
- long palm barrel lugs
- narrow palm circuit breaker lugs
- standard copper crimp lugs



PRE-INSULATED TERMINALS

- bullet terminals
- cord end terminals
- cassette and double boot lace ferrules
- closed end, parallel and pin connectors
- flag terminals
- flanged fork terminals
- fully-insulated quick connectors
- inline joiners
- insulating covers
- male tabs
- nylon-insulated butt connectors
- part-insulated quick connectors
- piggy back connectors
- red, blue and yellow flat blade terminals
- red, blue and yellow fork terminals
- red, blue and yellow hook blade terminals
- red, blue and yellow ring terminals





ROYCE CROSS

ELECTRICMOTORGROUP

📞 08 8269 4000

🌐 roycecross.com.au

- Air-movement motors
- Electric motors
- DC low-voltage motors
- Geared motors
- Capacitors
- Pulleys
- Variable-speed drives
- BBQ spit motors
- Enclosures
- Electrical accessories



📞 08 8444 6700

chainsandaccessories.com.au

- Chains
- Sprockets
- Drives
- Motors
- Gears
- Racks
- Belts
- Pulleys
- Conveyor items
- Accessories

ajf ELECTRICAL DISTRIBUTORS

📞 08 8269 6400

🌐 ajf.com.au

- Data
- Communications
- Electrical
- UPS
- Racking
- Lightning protection
- Hazardous equipment
- LV products
- Variable-speed drives
- Printing systems